



易達傳動

5 Star Industrial Co., Limited



**浙江易達傳動件有限公司**

**Zhejiang 5 Star Industrial Co., Limited**

**[www.5star-trans.com](http://www.5star-trans.com)**

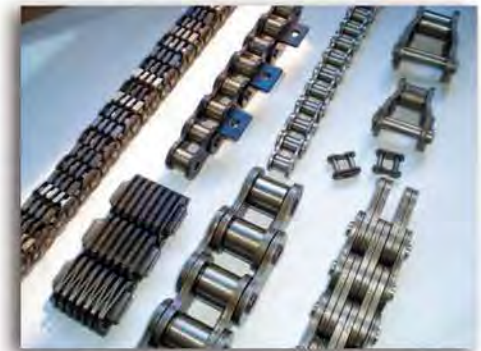
中国·浙江

ZHEJIANG CHINA

# 企业简介

## Company introduction

Zhejiang 5 Star Industrial Co., Limited is a modern enterprise, is located zhejiang province , china. Our company is mainly engaged in the production roller chains , coupling chains , bushing chains, motorcycle chains , conveyor chains, agricultural chains, leaf chains, pin chains, double plus chains , hollow pin chains , scraper conveyor chains, welded steel chains, stainless steel chains, etc. All products superior selection, strictly in accordance with international standards of production, products are best-selling in european, The united states and southeast asia, also in the demestic market. It is the fastest-growing one of the modern chain manufacturer. Our products are widely used in industry, agriculture, construction, mining, metallurgy, petroleum, transportation, escalators, textile, food, medicine, chemical industry, priting and other industries.





弯板输送链/Conveyor chains



双节距输送链  
Double pitch Conveyor chains



农机链/Agricultural chains



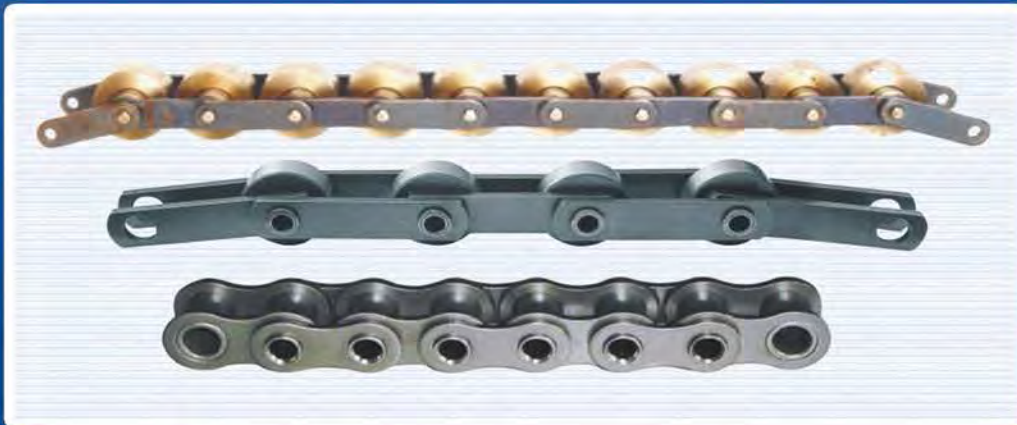
板式链/Leaf chains



精密滚子链/Roller chains



悬挂链  
Drop forged chains



空心销轴链  
Hollow pin chains

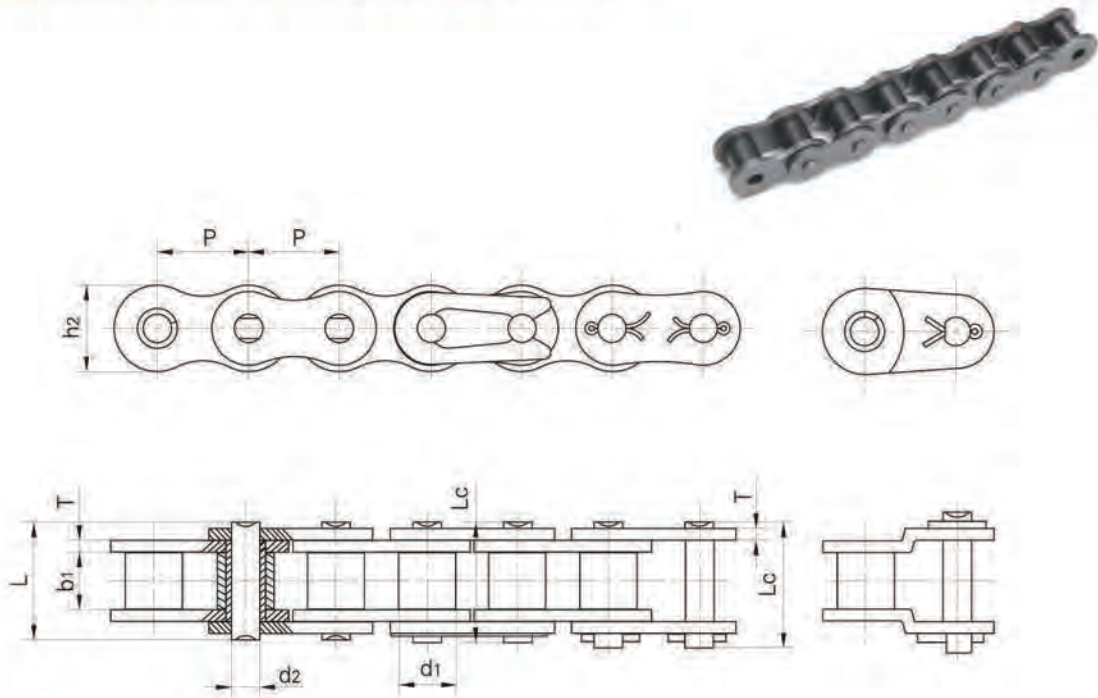


NE/FU/DS/NSE系列输送链  
Large pitch conveyor chains



加长销双节距输送链  
Double pitch conveyor chains

A系列短节距精密滚子链  
Short pitch precision roller chains (A series)



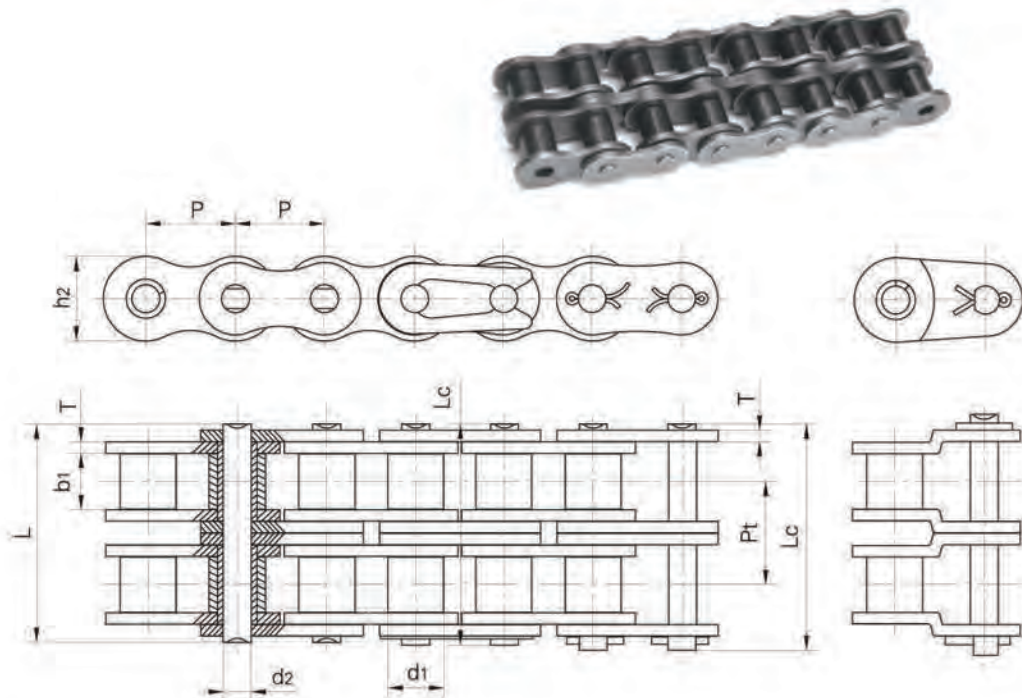
单排滚子链/套筒链  
Simplex roller chains & bushing chains

DIN/ISO 链号 DIN/ISO Chain No.	ANSI 链号 ANSI Chain No.	节距 Pitch P	滚子直径 Roller diameter d1	内节内宽 Width between inner plates b1	销轴直径 Pin diameter d2	销轴长度 Pin length		内链板高度 Inner plate depth h2	链板厚度 Plate thick- ness T	极限拉伸载荷 Ultimate tensile strength Q	平均拉伸载荷 Average tensile strength Q0	每米长重 Weight per meter q
						L max	Lc max					
		mm	mm	mm	mm	mm	mm	mm	mm	kN/LB	kN	kg/m
*03C	*15	4.7625	2.48	2.38	1.62	6.10	6.90	4.30	0.60	1.80/409	2.0	0.08
*04C-1	*25	6.350	3.30	3.18	2.31	7.90	8.40	6.00	0.80	3.50/795	4.6	0.15
*06C-1	*35	9.525	5.08	4.77	3.58	12.40	13.17	9.00	1.30	7.90/1795	10.8	0.33
085-1	41	12.700	7.77	6.25	3.58	13.75	15.00	9.91	1.30	6.67/1516	12.6	0.41
08A-1	40	12.700	7.95	7.85	3.96	16.60	17.80	12.00	1.50	14.10/3205	17.5	0.62
10A-1	50	15.875	10.16	9.40	5.08	20.70	22.20	15.09	2.03	22.20/5045	29.4	1.02
12A-1	60	19.050	11.91	12.57	5.94	25.90	27.70	18.00	2.42	31.80/7227	41.5	1.50
16A-1	80	25.400	15.88	15.75	7.92	32.70	35.00	24.00	3.25	56.70/12886	69.4	2.60
20A-1	100	31.750	19.05	18.90	9.53	40.40	44.70	30.00	4.00	88.50/20114	109.2	3.91
24A-1	120	38.100	22.23	25.22	11.10	50.30	54.30	35.70	4.80	127.00/28864	156.3	5.62
28A-1	140	44.450	25.40	25.22	12.70	54.40	59.00	41.00	5.60	172.40/39182	212.0	7.50
32A-1	160	50.800	28.58	31.55	14.27	64.80	69.60	47.80	6.40	226.80/51545	278.9	10.10
36A-1	180	57.150	35.71	35.48	17.46	72.80	78.60	53.60	7.20	280.20/63682	341.8	13.45
40A-1	200	63.500	39.68	37.85	19.85	80.30	87.20	60.00	8.00	353.80/80409	431.6	16.15
48A-1	240	76.200	47.63	47.35	23.81	95.50	103.00	72.39	9.50	510.30/115977	622.5	23.20

\*套筒链:表中滚子直径d1为套筒直径

\*Bushing chains: d1 in the table indicate the external diameter of the bushing.

A系列短节距精密滚子链  
Short pitch precision roller chains (A series)



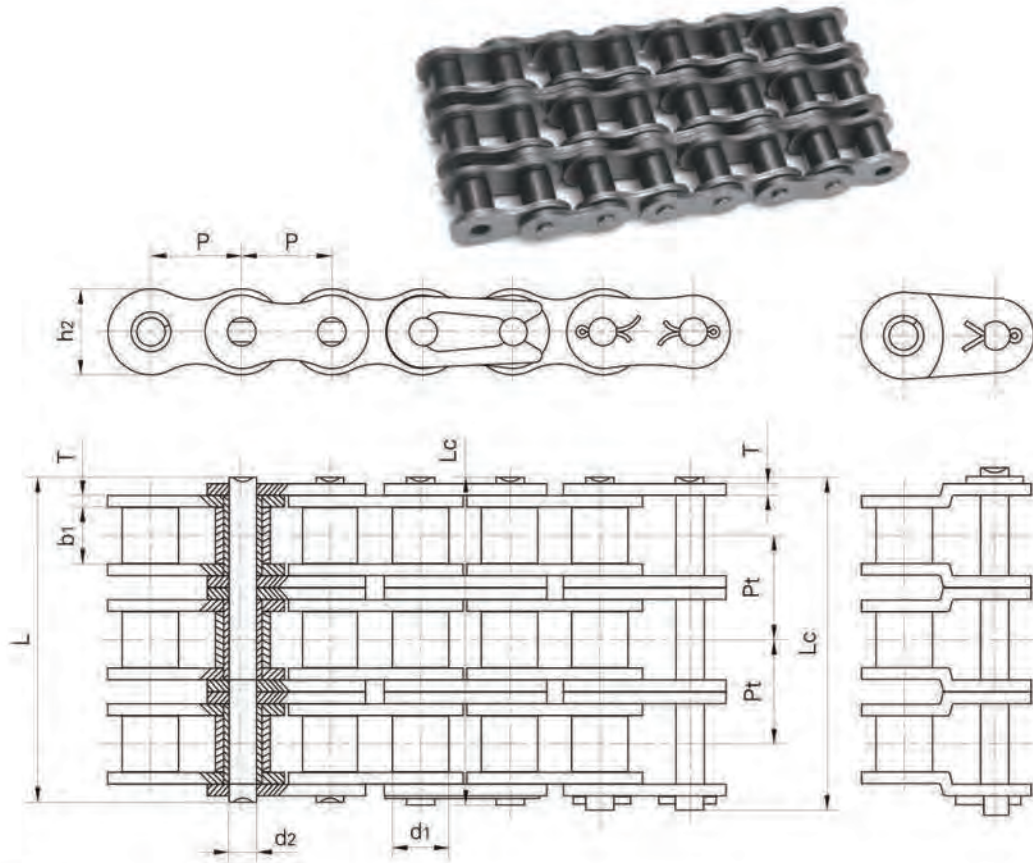
双排滚子链/套筒链  
Duplex roller chains & bushing chains

DIN/ISO 链号	ANSI 链号	节距 Pitch	滚子直径 Roller diameter	内节内宽 Width between inner plates	销轴直径 Pin diameter	销轴长度 Pin length		内链板高度 Inner plate depth	链板厚度 Plate thick- ness	排距 Transversal pitch	极限拉伸载荷 Ultimate tensile strength	平均拉伸载荷 Average tensile strength	每米长重 Weight per meter
DIN/ISO Chain No.	ANSI Chain No.	P	d1 max	b1 min	d2 max	L max	Lc max	h2 max	T max	Pt	Q min	Q0	q
		mm	mm	mm	mm	mm	mm	mm	mm	mm	kN/LB	kN	kg/m
*04C-2	*25-2	6.350	3.30	3.18	2.31	14.5	15.0	6.00	0.80	6.40	7.00/1591	8.6	0.28
*06C-2	*35-2	9.525	5.08	4.77	3.58	22.5	23.3	9.00	1.30	10.13	15.80/3591	19.7	0.63
085-2	41-2	12.700	7.77	6.25	3.58	25.7	26.9	9.91	1.30	11.95	13.34/3032	16.9	0.81
08A-2	40-2	12.700	7.95	7.85	3.96	31.0	32.2	12.00	1.50	14.38	28.20/6409	35.9	1.12
10A-2	50-2	15.875	10.16	9.40	5.08	38.9	40.4	15.09	2.03	18.11	44.40/10091	58.1	2.00
12A-2	60-2	19.050	11.91	12.57	5.94	48.8	50.5	18.00	2.42	22.78	63.60/14455	82.1	2.92
16A-2	80-2	25.400	15.88	15.75	7.92	62.7	64.3	24.00	3.25	29.29	113.40/25773	141.8	5.15
20A-2	100-2	31.750	19.05	18.90	9.53	76.4	80.5	30.00	4.00	35.76	177.00/40227	219.4	7.80
24A-2	120-2	38.100	22.23	25.22	11.10	95.8	99.7	35.70	4.80	45.44	254.00/57727	314.9	11.70
28A-2	140-2	44.450	25.40	25.22	12.70	103.3	107.9	41.00	5.60	48.87	344.80/78364	427.5	15.14
32A-2	160-2	50.800	28.58	31.55	14.27	123.3	128.1	47.80	6.40	58.55	453.60/103091	562.4	20.14
36A-2	180-2	57.150	35.71	35.48	17.46	138.6	144.4	53.60	7.20	65.84	560.50/127386	695.0	29.22
40A-2	200-2	63.500	39.68	37.85	19.85	151.9	158.8	60.00	8.00	71.55	707.60/160818	877.4	32.24
48A-2	240-2	76.200	47.63	47.35	23.81	183.4	190.8	72.39	9.50	87.83	1020.60/213955	1255.3	45.23

\*套筒链:表中滚子直径d1为套筒直径

\*Bushing chains: d1 in the table indicate the external diameter of the bushing.

A系列短节距精密滚子链  
Short pitch precision roller chains (A series)

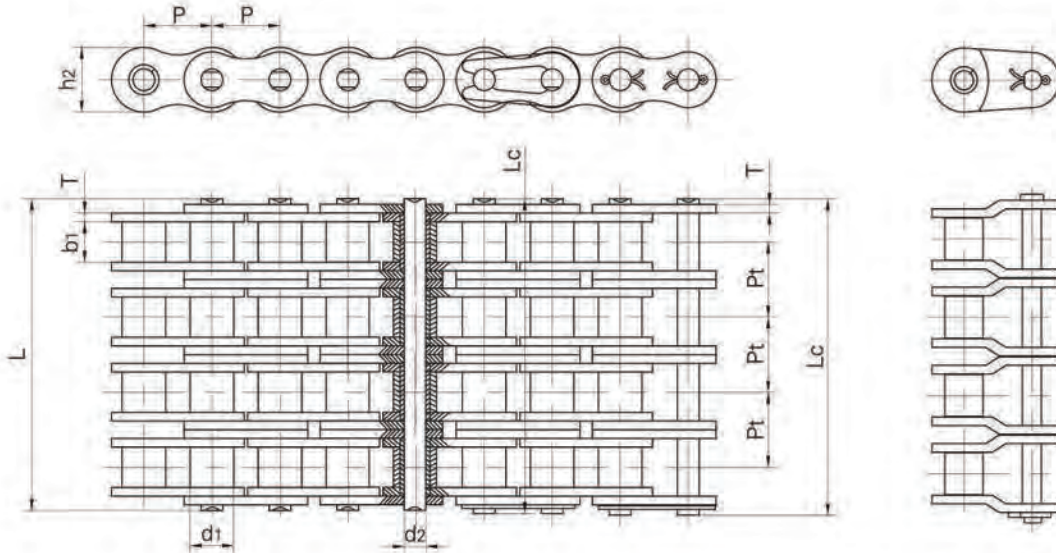


三排滚子链/套筒链  
Triplex roller chains & bushing chains

DIN/ISO 链号 DIN/ISO Chain No.	ANSI 链号 ANSI Chain No.	节距 Pitch	滚子直径 Roller diameter	内节内宽 Width between inner plates	销轴直径 Pin diameter	销轴长度 Pin length		内链板高度 Inner plate depth	链板厚度 Plate thick- ness	排距 Transversal pitch	极限拉伸载荷 Ultimate tensile strength	平均拉伸载荷 Average tensile strength	每米长重 Weigh t per meter
						L	L <sub>c</sub>						
						P	d <sub>1</sub> max						
mm	mm	mm	mm	mm	mm	mm	mm	mm	mm	kN/LB	kN	kg/m	
*04C-3	*25-3	6.350	3.30	3.18	2.31	21.0	21.5	6.00	0.80	6.40	10.5/2386	12.6	0.44
*06C-3	*35-3	9.525	5.08	4.77	3.58	32.7	33.5	9.00	1.30	10.13	23.7/5386	28.6	1.05
08A-3	40-3	12.700	7.95	7.85	3.96	45.4	46.6	12.00	1.50	14.38	42.3/9614	50.0	1.90
10A-3	50-3	15.875	10.16	9.40	5.08	57.0	58.5	15.09	2.03	18.11	66.6/15136	77.8	3.09
12A-3	60-3	19.050	11.91	12.57	5.94	71.5	73.3	18.00	2.42	22.78	95.4/21682	111.1	4.54
16A-3	80-3	25.400	15.88	15.75	7.92	91.7	93.6	24.00	3.25	29.29	170.1/38659	198.4	7.89
20A-3	100-3	31.750	19.05	18.90	9.53	112.2	116.3	30.00	4.00	35.76	265.5/60341	309.6	11.77
24A-3	120-3	38.100	22.23	25.22	11.10	141.4	145.2	35.70	4.80	45.44	381.0/86591	437.2	17.53
28A-3	140-3	44.450	25.40	25.22	12.70	152.2	156.8	41.00	5.60	48.87	517.2/117545	593.3	22.20
32A-3	160-3	50.800	28.58	31.55	14.27	181.8	186.6	47.80	6.40	58.55	680.4/154636	780.6	30.02
36A-3	180-3	57.150	35.71	35.48	17.46	204.4	210.2	53.60	7.20	65.84	840.7/191068	983.6	38.22
40A-3	200-3	63.500	39.68	37.85	19.85	223.5	230.4	60.00	8.00	71.55	1061.4/241227	1217.8	49.03
48A-3	240-3	76.200	47.63	47.35	23.81	271.3	278.6	72.39	9.50	87.83	1530.9/347932	1756.5	71.60

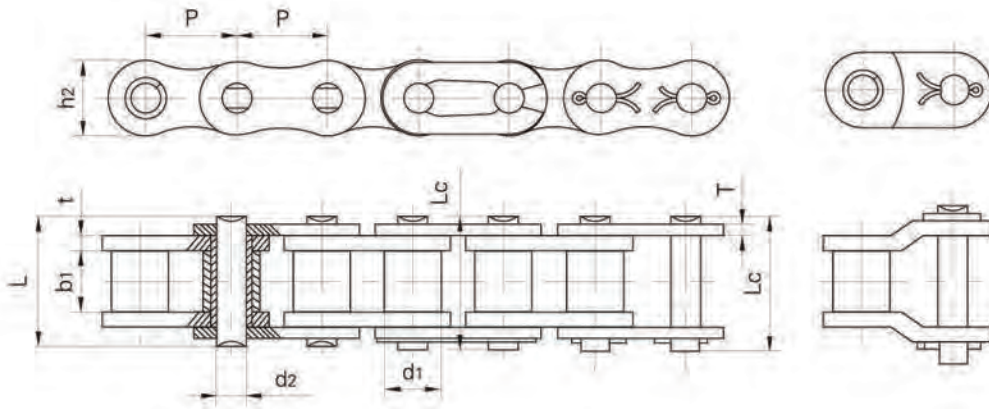
\*套筒链:表中滚子直径d1为套筒直径

\*Bushing chains: d1 in the table indicate the external diameter of the bushing.

**A系列短节距精密滚子链**  
**Short pitch precision roller chains (A series)**

**多排滚子链**  
**Multiple strand roller chains**

DIN/ISO 链号 DIN/ISO Chain No.	ANSI 链号 ANSI Chain No.	节距 Pitch	滚子直径 Roller diameter	内节内宽 Width between inner plates	销轴直径 Pin diameter	销轴长度 Pin length		内链板高度 Inner plate depth	链板厚度 Plate thickness	排距 Transversal pitch	极限拉伸载荷 Ultimate tensile strength	平均拉伸载荷 Average tensile strength	每米长重 Weight per meter
						L max	L <sub>r</sub> max						
						P mm	d <sub>1</sub> max mm						
08A-4	40-4	12.700	7.95	7.85	3.96	59.8	61.0	12.00	1.50	14.38	56.4/12687	62.04	2.57
10A-4	50-4	15.875	10.16	9.40	5.08	75.1	76.6	15.09	2.03	18.11	88.8/19976	97.68	4.30
12A-4	60-4	19.050	11.91	12.57	5.94	94.4	96.1	18.00	2.42	22.78	127.2/28614	139.92	6.21
16A-4	80-4	25.400	15.88	15.75	7.92	121.0	124.4	24.00	3.25	29.29	226.8/51020	249.48	10.37
08A-5	40-5	12.700	7.95	7.85	3.96	74.2	75.4	12.00	1.50	14.38	70.5/15859	77.55	3.19
10A-5	50-5	15.875	10.16	9.40	5.08	93.2	94.7	15.09	2.03	18.11	111/24970	122.10	5.37
12A-5	60-5	19.050	11.91	12.57	5.94	117.0	118.8	18.00	2.42	22.78	159/35768	174.90	7.75
16A-5	80-5	25.400	15.88	15.75	7.92	149.9	153.7	24.00	3.25	29.29	283.5/63775	311.85	12.96
08A-6	40-6	12.700	7.95	7.85	3.96	88.5	89.8	12.00	1.50	14.38	84.6/19031	93.06	3.83
10A-6	50-6	15.875	10.16	9.40	5.08	111.3	112.8	15.09	2.03	18.11	133.2/29964	146.52	6.43
12A-6	60-6	19.050	11.91	12.57	5.94	139.8	141.8	18.00	2.42	22.78	190.8/42921	209.80	9.31
16A-6	80-6	25.400	15.88	15.75	7.92	179.2	183.0	24.00	3.25	29.29	340.2/76530	374.22	15.50
08A-8	40-8	12.700	7.95	7.85	3.96	117.3	118.5	12.00	1.50	14.38	112.8/25375	124.08	5.11
10A-8	50-8	15.875	10.16	9.40	5.08	147.5	149.0	15.09	2.03	18.11	177.6/39952	195.36	8.59
12A-8	60-8	19.050	11.91	12.57	5.94	185.8	187.6	18.00	2.42	22.78	254.4/57229	279.84	12.37
16A-8	80-8	25.400	15.88	15.75	7.92	237.8	241.6	24.00	3.25	29.29	453.6/102040	498.96	20.67

B系列短节距精密滚子链  
Short pitch precision roller chains (B series)



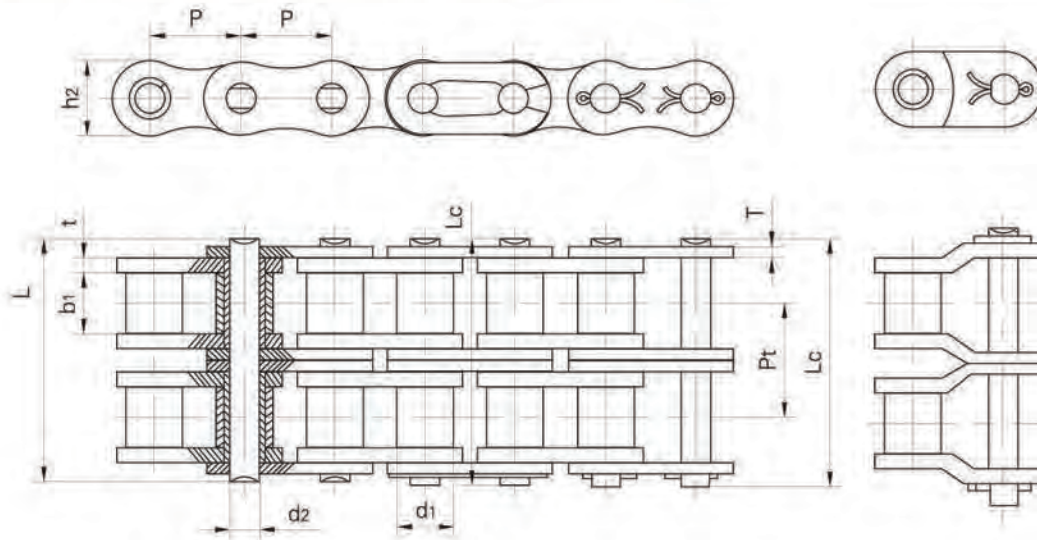
单排滚子链  
Simplex roller chains

DIN/ISO 链号 DIN/ISO Chain No.	节距 Pitch	滚子直径 Roller diameter	内节内宽 Width between inner plates	销轴直径 Pin diameter	销轴长度 Pin length		内链板高度 Inner plate depth	链板厚度 Plate thick- ness	极限拉伸载荷 Ultimate tensile strength	平均拉伸载荷 Average tensile strength	每米长重 Weight per meter
	P mm	d1 max mm	b1 min mm	d2 max mm	L max mm	Lc max mm	h2 max mm	t/T max mm	Q min kN/LB	Q0 kN	q kg/m
04B-1	6.000	4.00	2.80	1.85	6.80	7.8	5.00	0.60	3.0/682	3.2	0.11
05B-1	8.000	5.00	3.00	2.31	8.20	8.9	7.10	0.80	5.0/1136	5.9	0.20
*06B-1	9.525	6.35	5.72	3.28	13.15	14.1	8.20	1.30	9.0/2045	10.4	0.41
08B-1	12.700	8.51	7.75	4.45	16.70	18.2	11.80	1.60	18.0/4091	19.4	0.69
10B-1	15.875	10.16	9.65	5.08	19.50	20.9	14.70	1.70	22.4/5091	27.5	0.93
12B-1	19.050	12.07	11.68	5.72	22.50	24.2	16.00	1.85	29.0/6591	32.2	1.15
16B-1	25.400	15.88	17.02	8.28	36.10	37.4	21.00	4.15/3.1	60.0/13636	72.8	2.71
20B-1	31.750	19.05	19.56	10.19	41.30	45.0	26.40	4.5/3.5	95.0/21591	106.7	3.70
24B-1	38.100	25.40	25.40	14.63	53.40	57.8	33.20	6.0/4.8	160.0/36364	178.0	7.10
28B-1	44.450	27.94	30.99	15.90	65.10	69.5	36.70	7.5/6.0	200.0/45455	222.0	8.50
32B-1	50.800	29.21	30.99	17.81	66.00	71.0	42.00	7.0/6.0	250.0/56818	277.5	10.25
40B-1	63.500	39.37	38.10	22.89	82.20	89.2	52.96	8.5/8.0	355.0/80682	394.0	16.35
48B-1	76.200	48.26	45.72	29.24	99.10	107.0	63.80	12.0/10.0	560.0/127272	621.6	25.00
56B-1	88.900	53.98	53.34	34.32	114.6	123.0	77.80	13.5/12.0	850.0/193180	940.0	35.78
64B-1	101.600	63.50	60.96	39.40	130.0	138.5	90.17	15.0/13.0	112.0/254544	1240.0	46.00
72B-1	114.300	72.39	68.58	44.48	147.4	156.4	103.60	17.0/15.0	1400.0/318180	1550.0	60.80

\*直链板  
\*Straight side plate



B系列短节距精密滚子链  
Short pitch precision roller chains (B series)

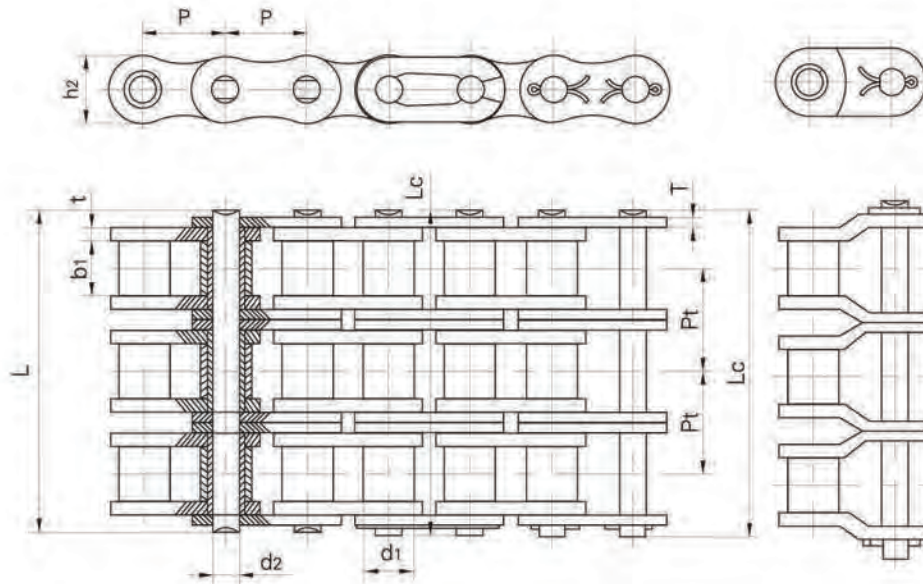


双排滚子链  
Duplex roller chains

DIN/ISO 链号 DIN/ISO Chain No.	节距 Pitch	滚子直径 Roller diameter	内节内宽 Width between inner plates	销轴直径 Pin diameter	销轴长度 Pin length		内链板高度 Inner plate depth	链板厚度 Plate thick- ness	排距 Transversal pitch	极限拉伸载荷 Ultimate tensile strength	平均拉伸载荷 Average tensile strength	每米长重 Weight per meter
	p	d1 max	b1 min	d2 max	L max	Lc max	h2 max	T max	Pt	Q min	Q0	q
	mm	mm	mm	mm	mm	mm	mm	mm	mm	kN/LB	kN	kg/m
05B-2	8.000	5.00	3.00	2.31	13.9	14.5	7.10	0.80	5.64	7.8/1773	10.2	0.33
*06B-2	9.525	6.35	5.72	3.28	23.4	24.4	8.20	1.30	10.24	16.9/3841	18.7	0.77
08B-2	12.700	8.51	7.75	4.45	31.2	32.2	11.80	1.60	13.92	32.0/7273	38.7	1.34
10B-2	15.875	10.16	9.65	5.08	36.1	37.5	14.70	1.70	16.59	44.5/10114	56.2	1.84
12B-2	19.050	12.07	11.68	5.72	42.0	43.6	16.00	1.85	19.46	57.8/13136	66.1	2.31
16B-2	25.400	15.88	17.02	8.28	68.0	69.3	21.00	4.15/3.1	31.88	106.0/24091	133.0	5.42
20B-2	31.750	19.05	19.56	10.19	77.8	81.5	26.40	4.5/3.5	36.45	170.0/38636	211.2	7.20
24B-2	38.100	25.40	25.40	14.63	101.7	106.2	33.20	6.0/4.8	48.36	280.0/63636	319.2	13.40
28B-2	44.450	27.94	30.99	15.90	124.6	129.1	36.70	7.5/6.0	59.56	360.0/81818	406.8	16.60
32B-2	50.800	29.21	30.99	17.81	124.6	129.6	42.00	7.0/6.0	58.55	450.0/102273	508.5	21.00
40B-2	63.500	39.37	38.10	22.89	154.5	161.5	52.96	8.5/8.0	72.29	630.0/143182	711.9	32.00
48B-2	76.200	48.26	45.72	29.24	190.4	198.2	63.80	12.0/10.0	91.21	1000.0/227272	1130.0	50.00
56B-2	88.900	53.98	53.34	34.32	221.2	229.6	77.80	13.5/12.0	106.6	1600.0/363635	1760.0	71.48
64B-2	101.60	63.50	60.96	39.40	249.9	258.4	90.17	15.0/13.0	119.89	2000.0/454544	2200.0	91.00
72B-2	114.30	72.39	68.58	44.48	283.7	292.7	103.60	17.0/15.0	136.27	2500.0/568180	2750.0	120.40

\*直链板  
\*Straight side plate

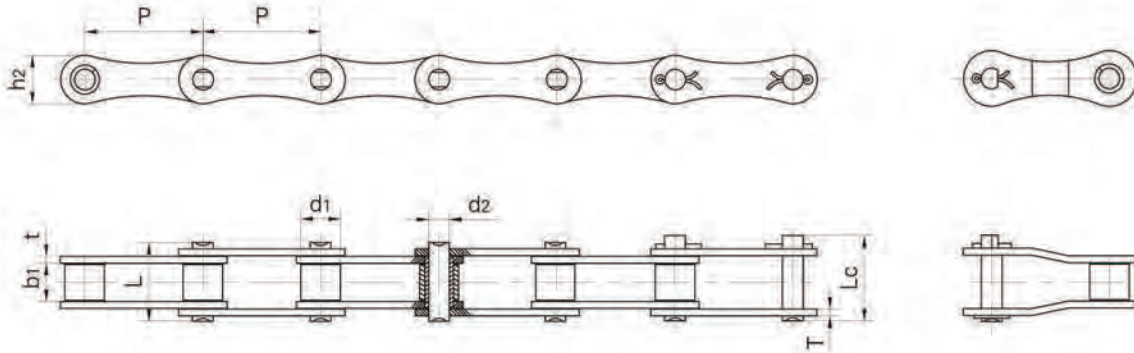
B系列短节距精密滚子链  
Short pitch precision roller chains (B series)



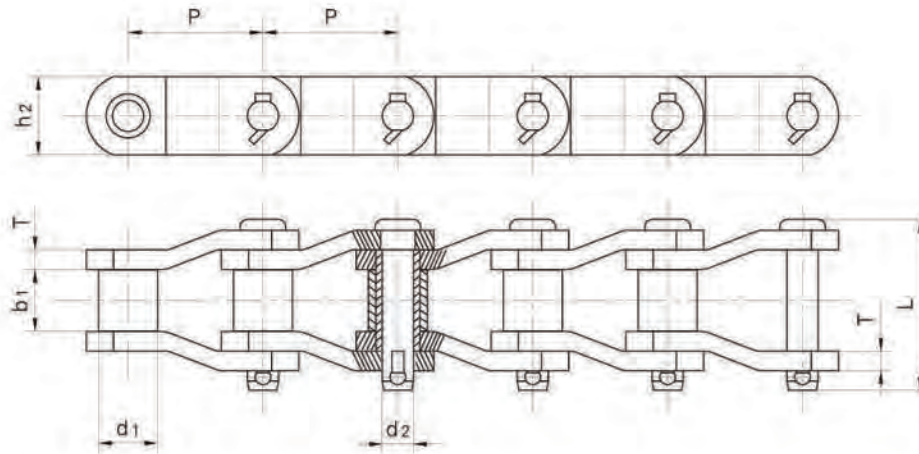
三排滚子链  
Triplex roller chains

DIN/ISO 链号 DIN/ISO Chain No.	节距	滚子直径	内节内宽	销轴直径	销轴长度		内链板高度	链板厚度	排距	极限拉伸载荷	平均拉伸载荷	每米长重
	Pitch	Roller diameter	Width between inner plates	Pin diameter	L	Lc	Inner plate depth	Plate thick- ness	Transversal pitch	Ultimate tensile strength	Average tensile strength	Weight per meter
	P	d <sub>1</sub> max	b <sub>1</sub> min	d <sub>2</sub> max	L max	Lc max	h <sub>2</sub> max	T max	P <sub>t</sub>	Q min	Q <sub>0</sub>	q
	mm	mm	mm	mm	mm	mm	mm	mm	mm	kN/LB	kN	kg/m
05B-3	8.000	5.00	3.00	2.31	19.5	20.2	7.10	0.80	5.64	11.1/2523	13.8	0.48
*06B-3	9.525	6.35	5.72	3.28	33.5	34.6	8.20	1.30	10.24	24.9/5659	30.1	1.16
08B-3	12.700	8.51	7.75	4.45	45.1	46.1	11.80	1.60	13.92	47.5/10795	57.8	2.03
10B-3	15.875	10.16	9.65	5.08	52.7	54.1	14.70	1.70	16.59	66.7/15159	84.5	2.77
12B-3	19.050	12.07	11.68	5.72	61.5	63.1	16.00	1.85	19.46	86.7/19705	101.8	3.46
16B-3	25.400	15.88	17.02	8.28	99.8	101.2	21.00	4.15/3.1	31.88	160.0/36364	203.7	8.13
20B-3	31.750	19.05	19.56	10.19	114.2	117.9	26.40	4.5/3.5	36.45	250.0/56818	290.0	10.82
24B-3	38.100	25.40	25.40	14.63	150.1	154.6	33.20	6.0/4.8	48.36	425.0/96591	493.0	20.10
28B-3	44.450	27.94	30.99	15.90	184.2	188.7	36.70	7.5/6.0	59.56	530.0/120454	609.5	24.92
32B-3	50.800	29.21	30.99	17.81	183.2	188.2	42.00	7.0/6.0	58.55	670.0/152273	770.5	31.56
40B-3	63.500	39.37	38.10	22.89	226.8	233.8	52.96	8.5/8.0	72.29	950.0/215909	1092.5	48.10
48B-3	76.200	48.26	45.72	29.24	281.6	289.4	63.80	12.0/10.0	91.21	1500.0/340909	1710.0	75.00
56B-3	88.900	53.98	53.34	34.32	327.8	336.2	77.80	13.5/12.0	106.6	2240.0/545450	2240.0	107.18
64B-3	101.60	63.50	60.96	39.40	369.8	378.3	90.17	15.0/13.0	119.89	3000.0/681820	3300.0	136.00
72B-3	114.30	72.39	68.58	44.48	420.0	429.0	103.60	17.0/15.0	136.27	3750.0/852270	4125.0	180.00

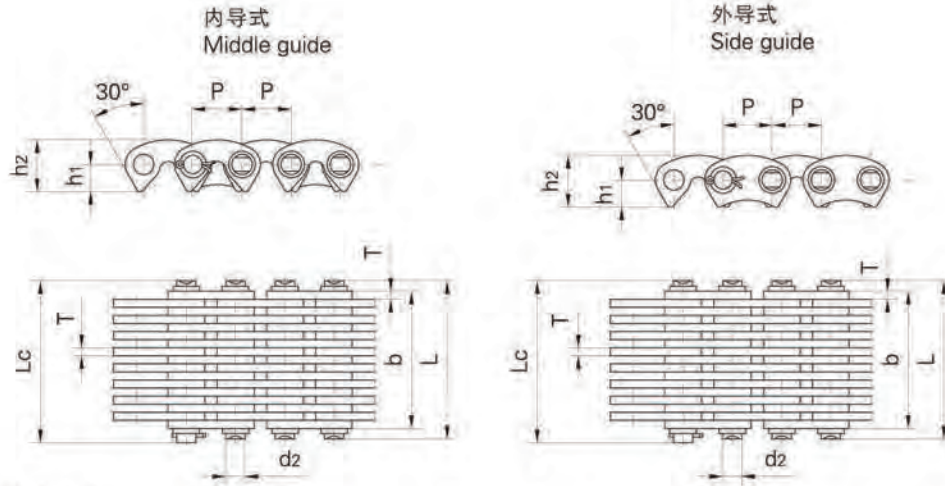
\*直链板  
\*Straight side plate

**双节距传动链**  
**Double pitch transmission chains**


DIN/ISO 链号 DIN/ISO Chain No.	ANSI 链号 ANSI Chain No.	节距	滚子直径	内节内宽	销轴直径	销轴长度		内链板高度	链板厚度	极限拉伸载荷	平均拉伸载荷	每米长重
		Pitch	Roller diameter	Width between inner plates	Pin diameter	L	L <sub>r</sub>	Inner plate depth	Plate thick- ness	Ultimate tensile strength	Average tensile strength	Weight per meter
		mm	d <sub>1</sub> max	b <sub>1</sub> min	d <sub>2</sub> max	L max	L <sub>r</sub> max	h <sub>2</sub> max	t/T max	Q <sub>0</sub> min	Q <sub>0</sub>	q
		mm	mm	mm	mm	mm	mm	mm	mm	kN/LB	kN	kg/m
208A	2040	25.40	7.95	7.85	3.96	16.6	17.8	12.0	1.50	14.1/3205	16.7	0.42
208B		25.40	8.51	7.75	4.45	16.7	18.2	11.8	1.60	18.0/4091	19.4	0.45
210A	2050	31.75	10.16	9.40	5.08	20.7	22.2	15.0	2.03	22.2/5045	28.1	0.73
210B		31.75	10.16	9.65	5.08	19.5	20.9	14.7	1.70	22.4/5091	27.5	0.65
212A	2060	38.10	11.91	12.57	5.94	25.9	27.7	18.0	2.42	31.8/7227	36.8	1.02
212B		38.10	12.07	11.68	5.72	22.5	25.2	16.0	1.85	29.0/6591	32.2	0.76
216A	2080	50.80	15.88	15.75	7.92	32.7	36.5	24.0	3.25	56.7/12886	65.7	1.70
216AH	2080H	50.80	15.88	15.75	7.92	36.2	39.4	24.0	4.00	56.7/12886	70.0	2.17
216B		50.80	15.88	17.02	8.28	36.1	39.1	21.0	4.15/3.1	60.0/13636	72.8	1.75
220A	2100	63.50	19.05	18.90	9.53	40.4	44.7	30.0	4.00	88.5/20114	102.6	2.55
220B		63.50	19.05	19.56	10.19	41.3	45.0	26.4	4.5/3.5	95.0/14773	106.7	2.62
224A	2120	76.20	22.23	25.22	11.10	50.3	54.3	35.7	4.80	127.0/28864	147.3	4.06
224B		76.20	25.40	25.40	14.63	53.4	57.8	33.2	6.0/4.8	160.0/36364	178.0	4.70
228B		88.90	27.94	30.99	15.90	65.1	69.5	36.7	7.5/6.0	200.0/45455	222.0	6.23
232B		101.60	29.21	30.99	17.81	66.0	71.0	42.0	7.0/6.0	250.0/56818	277.5	6.72

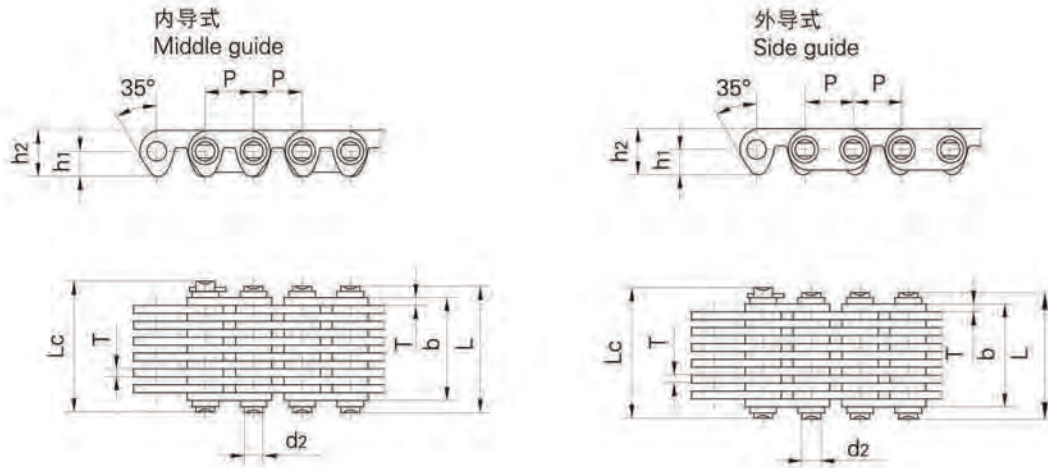
**重载弯板传动链  
Heavy duty cranked-link transmission chains**


Chain No.	节距	滚子直径	内节内宽	销轴直径	销轴长度	链板高度	链板厚度	极限拉伸载荷	平均拉伸载荷	每米长重
	Pitch	Roller diameter	Width between inner plates	Pin diameter	Pin length	Plate depth	Plate thickness	Ultimate tensile strength	Average tensile strength	Weight per meter
	P	d <sub>1</sub> max	b <sub>1</sub> min	d <sub>s</sub> max	L max	h <sub>2</sub>	T	Q min	Q <sub>0</sub>	q
	mm	mm	mm	mm	mm	mm	mm	kN/LB	kN	kg/m
2010	63.50	31.75	38.10	15.90	89.0	47.8	7.9	250.0/56818	270.0	13.53
2510	78.10	31.75	36.90	16.00	94.8	40.0	8.0	271.0/61590	292.6	10.72
2510H	78.10	31.75	36.9	16.5	95.3	45.0	9.5	280.4/63727	302.8	12.70
2512F2	77.90	41.28	38.50	19.05	103.4	60.0	10.0	400.0/90909	420.0	20.28
2814	88.90	44.45	36.60	22.23	117.6	58.0	12.7	471.0/105955	507.6	25.70
3214	103.20	44.45	48.00	22.00	123.5	55.0	13.0	476.0/108180	514.0	23.60
3214F1	103.200	44.45	49.20	23.90	129.0	60.0	14.0	666.4/151450	700.0	26.70
3315	103.45	45.24	49.30	23.85	130.0	63.5	14.2	550.0/125000	594.0	27.71
3618	114.30	57.15	52.30	27.97	138.0	79.2	14.2	760.0/172727	820.8	41.20
4020	127.00	63.50	69.90	31.78	165.7	88.9	15.7	987.0/224300	1069.2	48.60
2184	152.40	76.20	35.00	22.20	96.0	51.0	9.5	330.0/75000	378.0	18.17
MXS882	66.27	22.23	28.58	11.10	68.5	28.5	6.4	115.6/26272	124.8	5.30
MXS3075	78.10	31.75	38.10	16.46	93.5	44.5	9.7	334.0/75909	360.7	13.45
MXS1242	103.20	44.45	49.20	22.23	124.5	57.0	12.8	623.0/141591	672.8	24.63
SS588	66.27	22.23	28.60	11.11	63.7	28.6	6.4	130.0/29545	144.0	5.46
SS588F1	66.27	22.23	27.00	11.11	62.0	28.6	6.4	88.9/20205	97.8	5.39
SS588F2	66.27	22.23	27.00	9.53	59.0	25.4	5.6	84.46/19195	91.2	4.26
SS568H	77.90	41.30	39.70	19.05	97.6	57.0	9.5	340.0/77272	367.2	19.80
SS40H(P)	78.11	31.75	38.10	15.88	97.0	41.5	9.5	250.0/56818	280.0	12.60
SS124	103.20	44.45	49.20	22.23	127.2	57.0	12.7	560.0/127272	590.0	22.57
SS15F1	103.45	45.24	47.6	23.85	133.0	60.0	15.0	650/147726	616.0	27.34
SS1245	103.45	45.20	49.6	23.80	129.4	60.0	14.5	550/125000	605.0	31.19

**齿形链  
Silent chains**

**外接触式齿形链  
Flank contact silent chains**

GB 链号 GB Chain No.	节距 Pitch P mm	链宽 Chain width b mm	销轴直径 Pin diameter d2 mm	销轴长度 Pin length L mm		孔间到齿尖距离 Distance from hole center to tooth h1 mm	链板高度 Plate depth h2 mm	链板厚度 Plate thick- ness T mm	导向形式 Guide form	片数 Number of plates n	极限拉伸载荷 Ultimate tensile strength Q kN/LB	平均拉伸载荷 Average tensile strength Q0 kN	每米长重 Weight per meter q kg/m
				L max mm	Lc max mm								
CL06	9.525	13.5	3.95	18.5	20.0	5.3	10.0	1.5	外(Outside)	9	10.0/2272	11.2	0.60
		16.5		21.5	23.0					11	12.5/2840	14.0	0.73
		19.5		24.5	26.0					13	15.0/3409	16.8	0.85
		22.5		27.5	29.0					15	17.5/3997	19.6	1.00
		28.5		33.5	35.0					19	22.5/5114	25.2	1.26
CL08	12.700	19.5	5.08	24.5	26.0	7.0	13.4	1.5	外(Outside)	13	23.4/5318	26.2	1.15
		22.5		27.5	29.0					15	27.4/6227	30.6	1.33
		25.5		30.5	32.0					17	31.3/7114	35.0	1.50
		28.5		33.5	35.0					19	35.2/8000	39.4	1.68
		34.5		39.5	41.0					23	43.0/9772	48.1	2.04
		40.5		45.5	47.0					27	50.8/11364	56.8	2.39
		46.5		51.5	53.0					31	58.6/13318	65.6	2.74
CL10	15.875	30.0	5.92	37.0	38.2	8.7	16.7	2.0	内(Inside)	15	45.6/10364	50.6	2.21
		38.0		45.0	46.2					19	58.6/13318	65.0	2.80
		46.0		53.0	54.2					23	71.7/16295	79.5	3.39
		54.0		61.0	62.4					27	84.7/19250	94.0	3.99
		62.0		69.0	70.4					31	97.7/22204	108.4	4.58
CL12	19.050	38.0	6.90	45.0	46.5	10.5	20.0	2.0	内(Inside)	19	70.0/15909	77.6	3.37
		46.0		53.0	54.5					23	86.0/19545	95.4	4.08
		54.0		61.0	62.8					27	102.0/23182	113.2	4.78
		62.0		69.0	70.8					31	117.0/26591	129.8	5.50
		70.0		77.0	78.8					35	133.0/30227	147.6	6.20
CL16	25.400	45.0	8.90	52.0	53.5	14.0	26.7	3.0	内(Inside)	15	111.0/25227	123.2	5.31
		51.0		58.0	59.5					17	125.0/28409	138.7	6.02
		57.0		64.0	65.5					19	141.0/32045	156.5	6.37
		69.0		76.2	77.7					23	172.0/39091	190.9	8.15
		81.0		88.2	89.7					27	203.0/46163	225.3	9.57
CL20	31.750	93.0	10.84	100.2	101.7	17.5	33.4	3.0	内(Inside)	31	235.0/53409	260.8	10.98
		57.0		66.6	69.6					19	165.0/37500	183.1	8.42
		69.0		78.6	81.6					23	201.0/45681	223.1	10.19
		81.0		90.6	93.6					27	237.0/53863	263.2	11.96
		93.0		102.6	105.6					31	273.0/62045	303.0	13.73
105.0	114.6	117.6	35	310.0/70454	341.0	15.50							
117.0	126.6	129.6	39	346.0/78636	380.6	17.27							

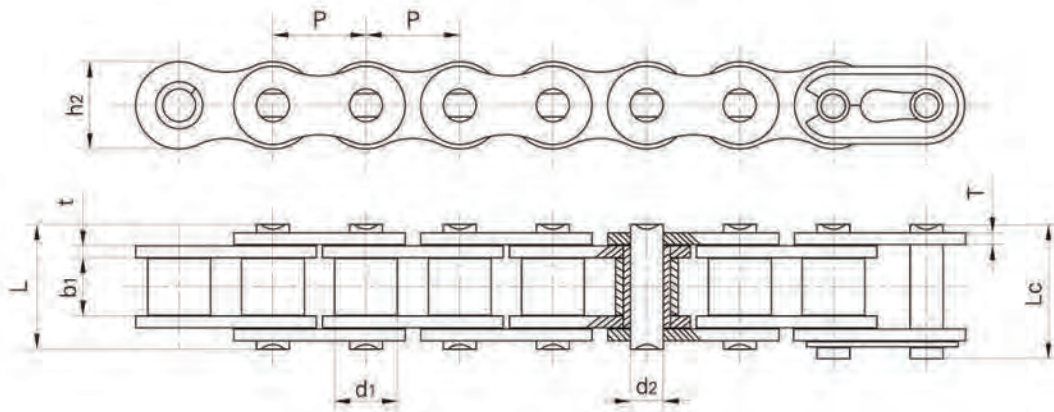
齿形链  
Silent chains



内接触式齿形链  
Croch contact silent chains

Chain No.	节距	链宽	销轴直径	销轴长度		孔间到齿尖距离	链板高度	链板厚度	导向形式	片数	极限拉伸载荷	平均拉伸载荷	每米长重							
	Pitch	Chain width	Pin diameter	Pin length										Distance from hole center to tooth	Plate depth	Plate thickness	Number of plates	Ultimate tensile strength	Average tensile strength	Weight per meter
	P	b	d <sub>2</sub>	L	L <sub>c</sub>									h <sub>1</sub>	h <sub>2</sub>	T	n	Q <sub>0</sub>	Q <sub>0</sub>	q
mm	mm	mm	max	max	mm	mm	mm			kN/LB	kN	kg/m								
C4-120	12.7	19.5	5.08	24.5	26.0	6.62	12.1	1.5	内(Inside)	13	20.0/4545	22.2	1.20							
C4-123		22.5		27.5	29.0				内(Inside)	15	23.0/5227	25.5	1.37							
C4-129		28.5		33.5	35.0				内(Inside)	19	28.5/6477	31.6	1.72							
C4-132		31.5		36.5	38.0				内(Inside)	21	31.5/7159	34.9	1.89							
C4-138		37.5		42.5	44.0				内(Inside)	25	38.0/8636	42.1	2.22							
C4-150		49.5		54.5	56.0				内(Inside)	33	50.0/11363	55.5	2.90							
C4-320	12.7	19.5	5.08	24.5	26.0	6.62	12.1	1.5	外(Outside)	13	20.0/4545	22.2	1.21							
C4-323		22.5		27.5	29.0				外(Outside)	15	23.0/5227	25.5	1.38							
C4-329		28.5		33.5	35.0				外(Outside)	19	28.5/6477	31.6	1.73							
C4-332		31.5		36.5	38.0				外(Outside)	21	31.5/7159	34.9	1.90							
C4-338		37.5		42.5	44.0				外(Outside)	25	38.0/8636	42.1	2.23							

摩托车链  
Motorcycle chains



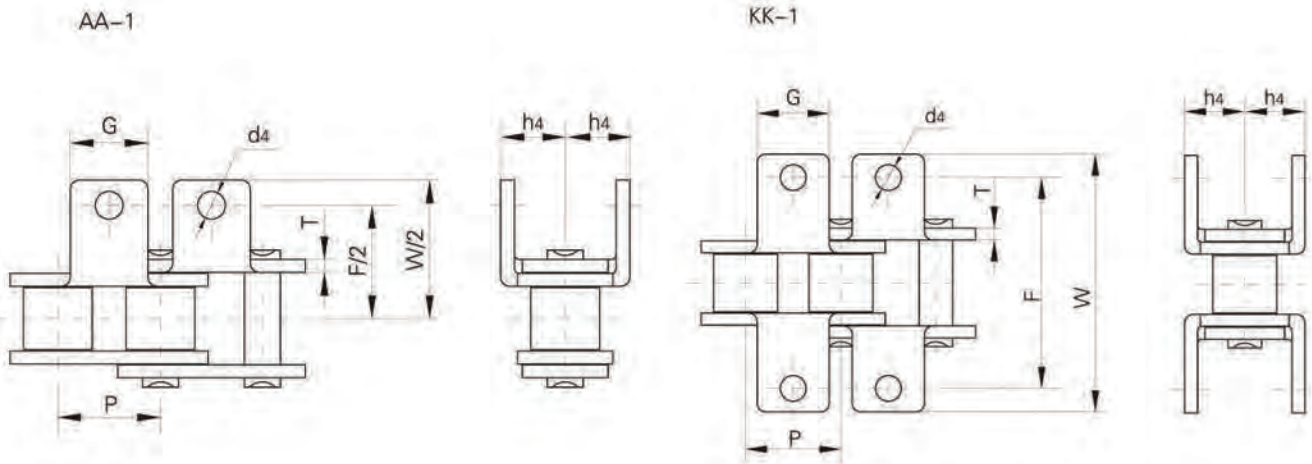
Chain No.	节距	滚子直径	内节内宽	销轴直径	销轴长度		内链板高度	链板厚度	极限拉伸载荷	平均拉伸载荷	每米长重
	Pitch	Roller diameter	Width between inner plates	Pin diameter	Pin length		Inner plate depth	Plate thickness	Ultimate tensile strength	Average tensile strength	Weight per meter
	P mm	d1 max mm	b1 min mm	d2 max mm	L max mm	Lc max mm	h2 max mm	t/T max mm	Q min kN/LB	Q0 kN	q kg/m
*25H	6.350	3.30	3.18	2.31	8.90	9.5	6.00	1.04	4.80/1091	5.5	0.17
*25H(E)	6.350	3.30	3.18	2.31	8.90	9.5	6.00	1.04	5.80/1305	6.0	0.18
*219H	7.774	4.59	5.00	3.01	11.90	12.7	7.40	1.2/1.04	6.60/1500	7.4	0.28
*270H	8.500	5.00	4.75	3.28	13.15		8.45	1.8/1.4	9.80/2227	11.0	0.33
*219HF1	7.785	4.60	4.50	3.28	13.00		7.00	2.0/1.40	9.0/2024	9.8	0.37
*T3F	9.525	6.00	9.50	4.50	18.60		9.30	1.85/1.50	11.80/2682	14.1	0.61
420	12.700	7.77	6.25	3.96	14.70	16.1	12.00	1.50	16.00/3636	18.1	0.55
420F3	12.700	7.77	6.40	3.96	15.00	18.6	11.80	1.6/1.45	16.00/3636	18.1	0.64
420H	12.700	7.77	6.25	3.96	17.00	18.4	12.00	2.03	16.00/3636	18.1	0.76
428	12.700	8.51	7.75	4.45	16.70	18.2	11.80	1.60	18.0/4091	20.1	0.70
428H	12.700	8.51	7.85	4.45	18.80	19.9	11.80	2.03	20.60/4682	23.4	0.79
428F1	12.700	8.51	7.94	4.50	16.70	18.05	11.80	1.60	17.15/3858	20.1	0.71
428DS	12.700	8.51	7.94	4.45	17.90	19.3	12.00	1.85	18.62/4232	21.0	0.76
520	15.875	10.16	6.25	5.08	17.50	19.0	15.09	2.03	26.50/6022	29.7	0.89
520F2	15.875	10.16	6.35	5.24	17.50	19.05	15.09	2.03	26.50/6022	29.7	0.97
520F3	15.875	10.16	6.48	5.08	17.50	19.0	15.09	2.03	26.50/6022	29.7	0.89
520H	15.875	10.16	6.25	5.08	19.30	20.8	15.09	2.42	26.50/6022	31.5	1.10
525	15.875	10.16	7.95	5.08	19.30	20.7	15.09	2.03	26.50/6022	29.9	1.06
525H	15.875	10.16	7.95	5.08	20.90	22.3	15.09	2.42	26.50/6022	29.9	1.20
530	15.875	10.16	9.40	5.08	20.70	22.2	15.09	2.03	26.50/6022	29.7	1.06
630	19.050	11.91	12.57	9.54	25.90	22.7	18.00	2.42	31.80/7227	41.5	1.50

\*套筒链:表中滚子直径d1为套筒直径

\*Bushing chains: d1 in the table indicate the external diameter of the bushing.

## 短节距输送链附件

### Short pitch conveyor chain with attachments



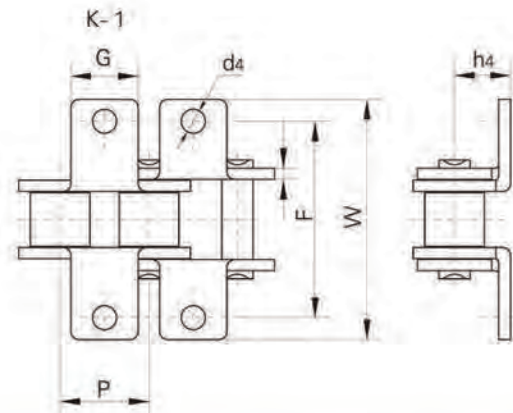
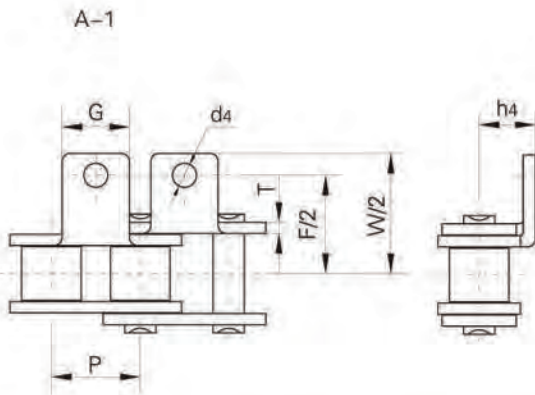
DIN/ISO 链号 DIN/ISO Chain No.	ANSI 链号 ANSI Chain No.	P	G	F	W	T	h <sub>4</sub>	d <sub>4</sub>
		mm	mm	mm	mm	mm	mm	mm
08A	40	12.700	9.5	25.40	35.2	1.50	7.90	3.4
10A	50	15.875	12.7	31.75	46.2	2.03	10.30	5.5
12A	60	19.050	15.9	38.10	55.6	2.42	11.90	5.5
16A	80	25.400	19.1	50.80	64.8	3.25	15.90	6.8
20A	100	31.750	25.4	63.50	87.3	4.00	19.80	9.2
24A	120	38.100	28.6	76.20	108.5	4.80	23.00	9.8
*06B		9.525	8.0	19.04	27.0	1.30	6.50	3.5
08B		12.700	9.5	25.40	36.4	1.60	8.90	4.5
10B		15.875	14.3	31.75	44.6	1.70	10.31	5.3
12B		19.050	16.0	38.10	52.4	1.85	13.46	6.4
16B		25.400	19.1	50.80	72.6	3.10	15.88	6.4
20B		31.750	35.0	63.50	100.5	3.50	19.80	9.0
24B		38.100	30.0	76.20	108.4	4.80	26.67	10.5

\*直板链  
\*Straight side plates



## 短节距输送链附件

### Short pitch conveyor chain with attachments



DIN/ISO 链号 DIN/ISO Chain No.	ANSI 链号 ANSI Chain No.	P	G	F	W	T	h <sub>4</sub>	d <sub>4</sub>
		mm	mm	mm	mm	mm	mm	mm
04C	25	6.350	5.6	13.80	23.2	0.80	4.30	3.4
06C	35	9.525	7.9	19.00	28.60	1.30	6.35	3.4
08A	40	12.700	9.5	25.40	35.20	1.50	7.90	3.4
085	41	12.700	9.5	24.00	33.4	1.30	6.90	3.6
10A	50	15.875	12.7	31.75	46.2	2.03	10.30	5.5
12A	60	19.050	15.9	38.10	55.6	2.42	11.90	5.5
16A	80	25.400	19.1	50.80	64.8	3.25	15.90	6.8
20A	100	31.750	25.4	63.50	87.3	4.00	19.80	9.2
24A	120	38.100	28.6	76.20	108.5	4.80	23.00	9.8
28A	140	44.450	34.9	88.90	123.0	5.60	28.60	11.4
32A	160	50.800	38.1	101.60	142.8	6.40	31.75	13.1
40A	200	63.500	50.8	127.00	179.0	8.00	42.88	16.3
*06B		9.525	8.0	19.04	27.0	1.30	6.50	3.5
08B		12.700	9.5	25.40	36.4	1.60	8.90	4.5
10B		15.875	14.3	31.75	44.6	1.70	10.31	5.3
12B		19.050	16.0	38.10	52.4	1.85	13.46	6.4
16B		25.400	19.1	50.80	72.6	3.10	15.88	6.4
20B		31.750	35.0	63.50	100.5	3.50	19.80	9.0
24B		38.100	30.0	76.20	108.4	4.80	26.67	10.5
28B		44.450	35.0	88.90	123.0	6.00	28.58	13.1
32B		50.800	38.1	101.60	142.8	6.00	31.75	13.1

\*直板链  
\*Straight side plates

## 短节距输送链附件

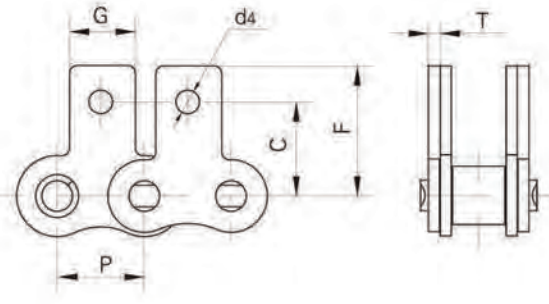
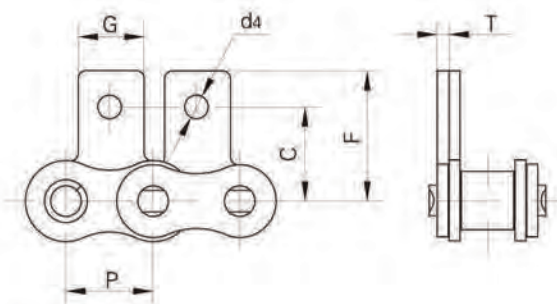
### Short pitch conveyor chain with attachments



SA-1/M1单侧(one side)



SK-1/M1双侧(both sides)

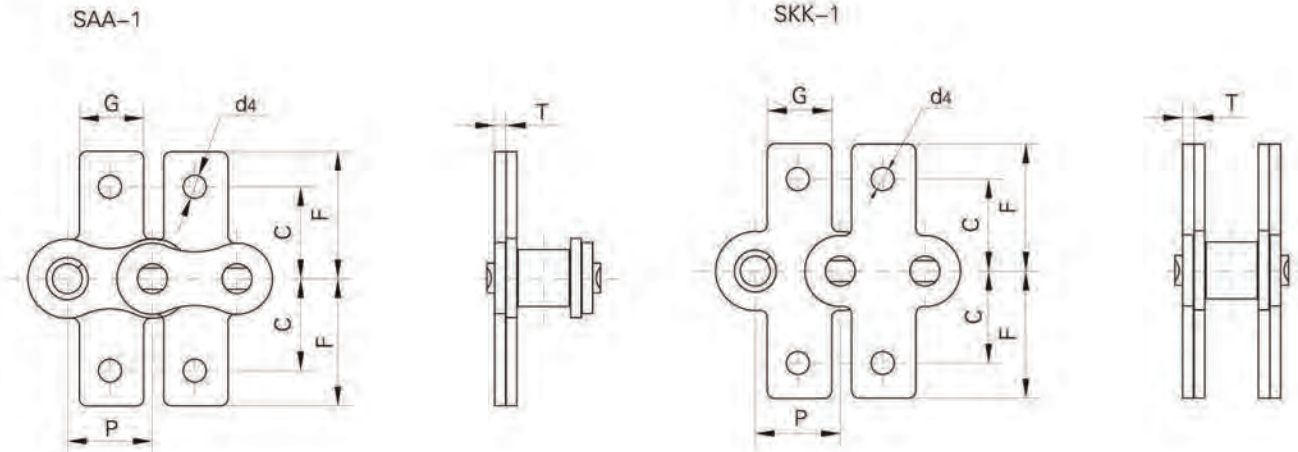


DIN/ISO 链号 DIN/ISO Chain No.	ANSI 链号 ANSI Chain No.	P	G	C	F	T	d4
		mm	mm	mm	mm	mm	mm
04C	25	6.350	5.6	7.95	11.7	0.8	3.4
06C	35	9.525	7.9	9.50	14.55	1.30	3.4
08A	40	12.700	9.5	12.70	19.05	1.50	3.4
085	41	12.700	9.5	11.85	16.55	1.30	3.6
10A	50	15.875	12.7	15.90	25.25	2.03	5.5
12A	60	19.050	15.9	18.30	29.33	2.42	5.5
16A	80	25.400	19.1	24.60	34.70	3.25	6.8
20A	100	31.750	25.4	31.80	43.30	4.00	9.2
24A	120	38.100	28.6	36.50	51.60	4.80	9.8
28A	140	44.450	34.9	44.50	62.00	5.60	11.4
32A	160	50.800	38.1	50.80	69.85	6.40	13.1
40A	200	63.500	50.8	63.50	88.90	8.00	16.3
*06B		9.525	8.0	9.52	13.50	1.30	3.5
08B		12.700	9.5	13.35	18.90	1.60	4.3
10B		15.875	14.3	16.50	22.95	1.70	5.3
12B		19.050	16.0	21.45	28.60	1.85	6.4
16B		25.400	19.1	23.15	34.00	3.10	6.4
20B		31.750	35.0	30.50	45.70	3.50	9.0
24B		38.100	36.0	42.70	61.50	4.80	10.5

\*直板链  
\*Straight side plates

## 短节距输送链附件

### Short pitch conveyor chain with attachments

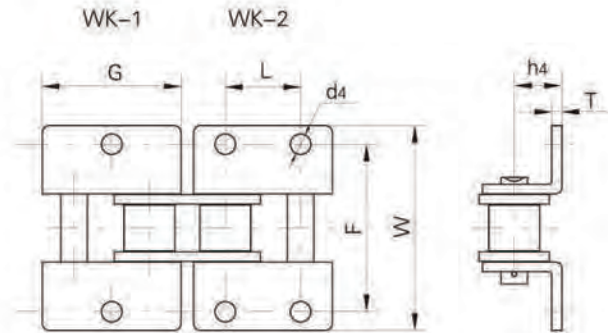
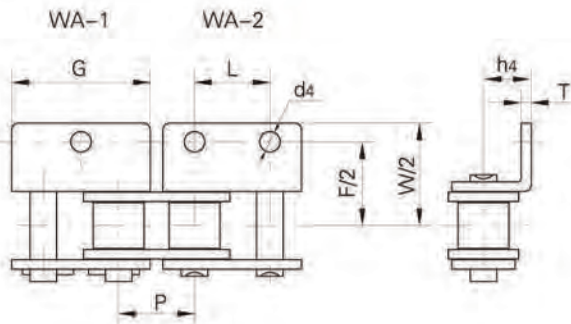


DIN/ISO 链号 DIN/ISO Chain No.	ANSI 链号 ANSI Chain No.	P mm	G mm	C mm	F mm	T mm	d4 mm
08A	40	12.700	9.5	12.70	19.05	1.50	3.4
10A	50	15.875	12.7	15.90	25.25	2.03	5.5
12A	60	19.050	15.9	18.30	29.33	2.42	5.5
16A	80	25.400	19.1	24.60	34.70	3.25	6.8
20A	100	31.750	25.4	31.80	43.30	4.00	9.2
24A	120	38.100	28.6	73.00	103.20	4.80	9.8
*06B		9.525	8.0	9.52	13.50	1.30	3.5
08B		12.700	9.5	13.35	18.90	1.60	4.3
10B		15.875	14.3	16.50	22.95	1.70	5.3
12B		19.050	16.0	21.45	28.60	1.85	6.4
16B		25.400	19.1	23.15	34.00	3.10	6.4
20B		31.750	35.0	30.50	45.70	3.50	9.0
24B		38.100	36.0	85.4	123.0	4.80	10.5

\*直板链  
\*Straight side plates

## 短节距输送链附件

### Short pitch conveyor chain with attachments

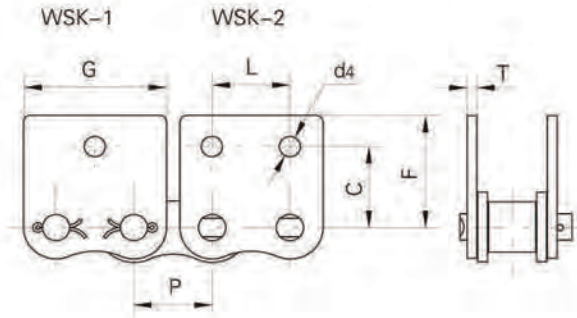
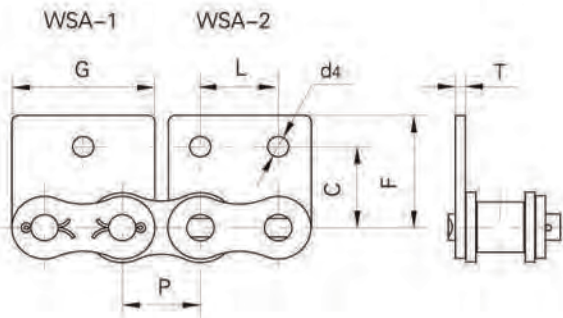


DIN/ISO 链号 DIN/ISO Chain No.	ANSI 链号 ANSI Chain No.	P	G	L	F	W	T	h <sub>4</sub>	d <sub>4</sub>
		mm	mm	mm	mm	mm	mm	mm	mm
04C	25	6.350	11.41	6.350	13.80	23.2	0.80	4.30	3.4
06C	35	9.525	17.32	9.525	19.00	28.6	1.30	6.35	2.8
08A	40	12.700	23.00	12.700	25.40	35.6	1.50	7.90	3.4
08S	41	12.700	22.30	12.700	24.00	35.0	1.30	7.20	4.85
10A	50	15.875	28.80	15.875	31.75	46.8	2.03	10.30	5.5
12A	60	19.050	34.65	19.050	38.10	56.4	2.42	11.90	5.5
16A	80	25.400	45.90	25.400	50.80	73.2	3.25	15.90	6.8
20A	100	31.750	57.65	31.750	63.50	89.8	4.00	19.80	9.2
24A	120	38.100	69.30	38.100	76.20	108.8	4.80	23.00	9.8
28A	140	44.450	80.45	44.450	88.90	123.0	5.60	28.60	11.4
32A	160	50.800	92.00	50.800	101.60	142.8	6.40	31.75	13.1
40A	200	63.500	115.5	63.500	127.00	179.0	8.00	42.88	16.3
*06B		9.525	17.72	9.525	19.04	27.0	1.30	6.50	3.5
08B		12.700	24.00	12.700	25.40	36.4	1.60	8.90	4.3
10B		15.875	29.58	15.875	31.80	44.6	1.70	10.31	5.3
12B		19.050	34.05	19.050	38.10	52.4	1.85	13.46	6.4
16B		25.400	46.40	25.400	50.80	72.6	3.10	15.88	6.4
20B		31.750	58.10	31.750	63.00	100.5	3.50	19.80	9.0
24B		38.100	71.30	38.100	76.20	108.4	4.80	26.67	10.5
28B		44.450	81.1	44.450	88.90	123.0	6.00	28.58	13.1
32B		50.800	92.8	50.800	101.60	142.8	6.00	31.75	13.1

\*直板链  
\*Straight side plates

## 短节距输送链附件

### Short pitch conveyor chain with attachments

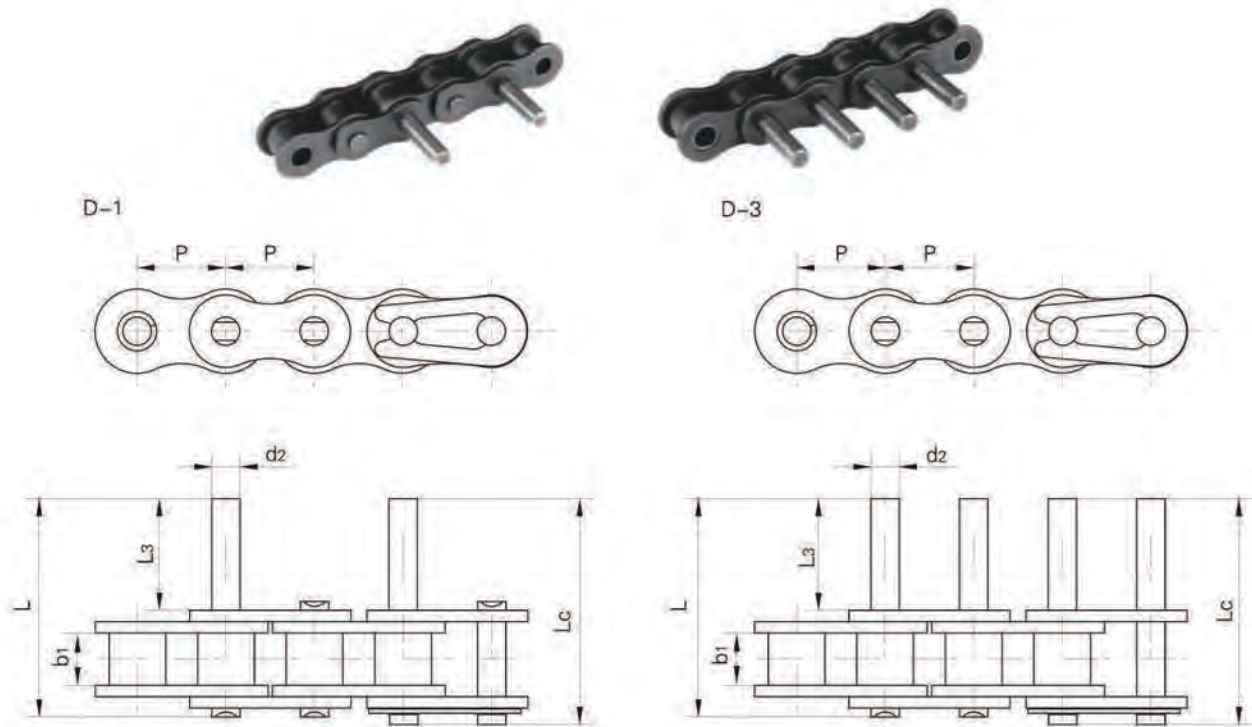


DIN/ISO 链号 DIN/ISO Chain No.	ANSI 链号 ANSI Chain No.	P	G	L	C	F	T	d4
		mm	mm	mm	mm	mm	mm	mm
04C	25	6.350	11.41	6.350	7.95	11.70	0.80	3.4
06C	35	9.525	17.32	9.525	9.50	14.55	1.30	2.8
08A	40	12.700	23.00	12.700	12.70	17.40	1.50	3.4
085	41	12.700	21.20	12.700	11.85	16.55	1.30	3.6
10A	50	15.875	28.80	15.875	15.90	23.05	2.03	5.5
12A	60	19.050	34.65	19.050	18.30	26.86	2.42	5.5
16A	80	25.400	45.90	25.400	24.60	35.45	3.25	6.8
20A	100	31.750	57.65	31.750	31.80	44.00	4.00	9.2
24A	120	38.100	69.30	38.100	36.50	51.60	4.80	9.8
28A	140	44.450	80.45	44.450	44.50	62.00	5.60	11.4
32A	160	50.800	92.00	50.800	50.80	69.85	6.40	13.1
40A	200	63.500	115.5	63.500	63.50	88.90	8.00	16.3
*06B		9.525	17.72	9.525	9.52	13.50	1.30	3.5
08B		12.700	23.30	12.700	13.35	18.90	1.60	4.3
10B		15.875	29.58	15.875	16.50	22.95	1.70	5.3
12B		19.050	34.05	19.050	21.45	28.60	1.85	6.4
16B		25.400	46.40	25.400	23.15	34.00	3.10	6.4
20B		31.750	58.10	31.750	30.50	45.70	3.50	9.0
24B		38.100	71.30	38.100	42.70	61.50	4.80	10.5

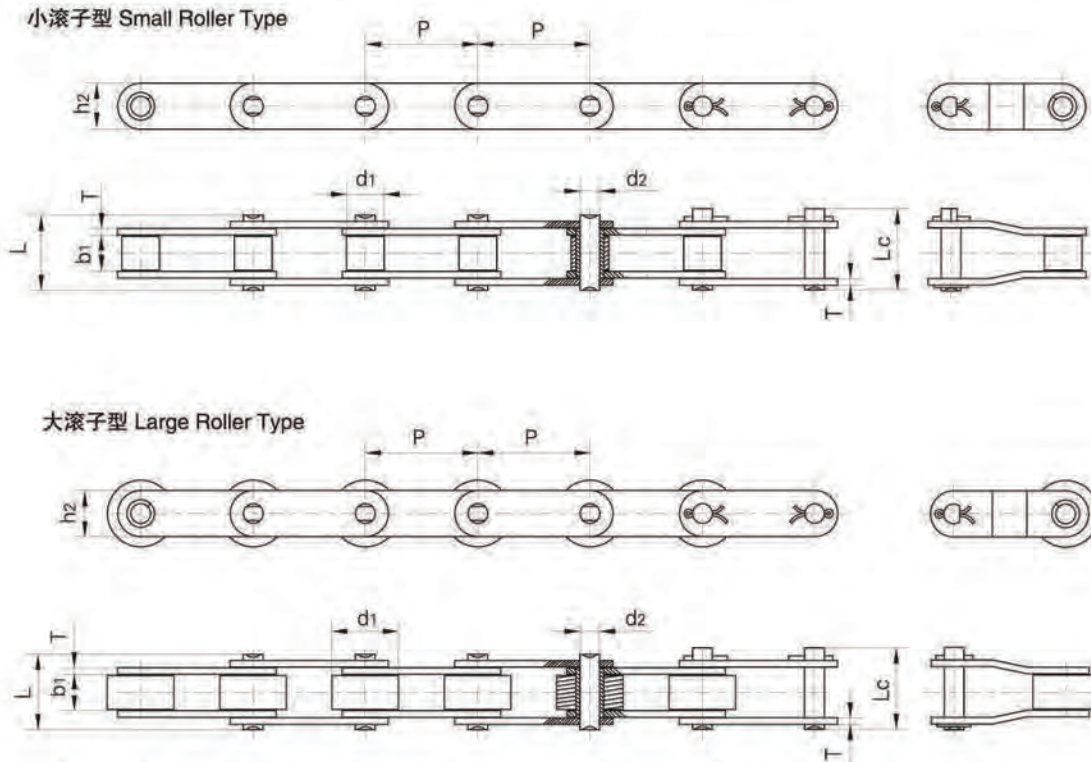
\*直板链  
\*Straight side plates

## 短节距加长销输送链

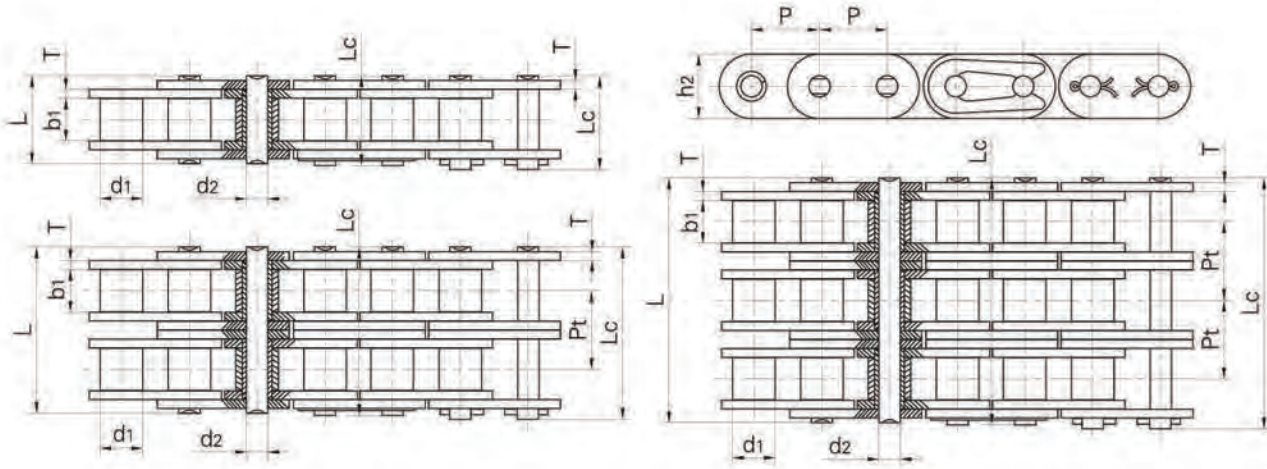
Short pitch conveyor chain with extended pins



DIN/ISO 链号 DIN/ISO Chain No.	ANSI 链号 ANSI Chain No.	P	b <sub>1</sub>	d <sub>2</sub>	L <sub>3</sub>	L	L <sub>c</sub>
		mm	mm	mm	mm	mm	mm
06C	35	9.525	4.77	3.58	9.5	20.8	21.6
08A	40	12.700	7.85	3.96	9.5	25.1	26.2
10A	50	15.875	9.40	5.08	11.9	31.3	33.1
12A	60	19.050	12.57	5.94	14.3	38.6	40.6
16A	80	25.400	15.75	7.92	19.1	50.3	53.3
20A	100	31.750	18.90	9.53	23.8	61.8	66.1
24A	120	38.100	25.22	11.10	28.6	76.4	80.4
28A	140	44.450	25.22	12.70	33.3	84.8	89.4
32A	160	50.800	31.55	14.27	38.1	99.6	104.4
08B		12.700	7.75	4.45	9.5	25.1	26.6
10B		15.875	9.65	5.08	11.9	30.1	31.5
12B		19.050	11.68	5.72	14.3	35.4	37.1
16B		25.400	17.02	8.28	19.1	53.0	54.3
20B		31.750	19.56	10.19	41.0	79.9	83.6
24B		38.100	25.40	14.63	50.7	101.4	105.8
28B		44.450	30.99	15.90	61.9	124.0	128.4
32B		50.800	30.99	17.81	64.8	126.8	131.8

**双节距输送链  
Double pitch conveyor chains**


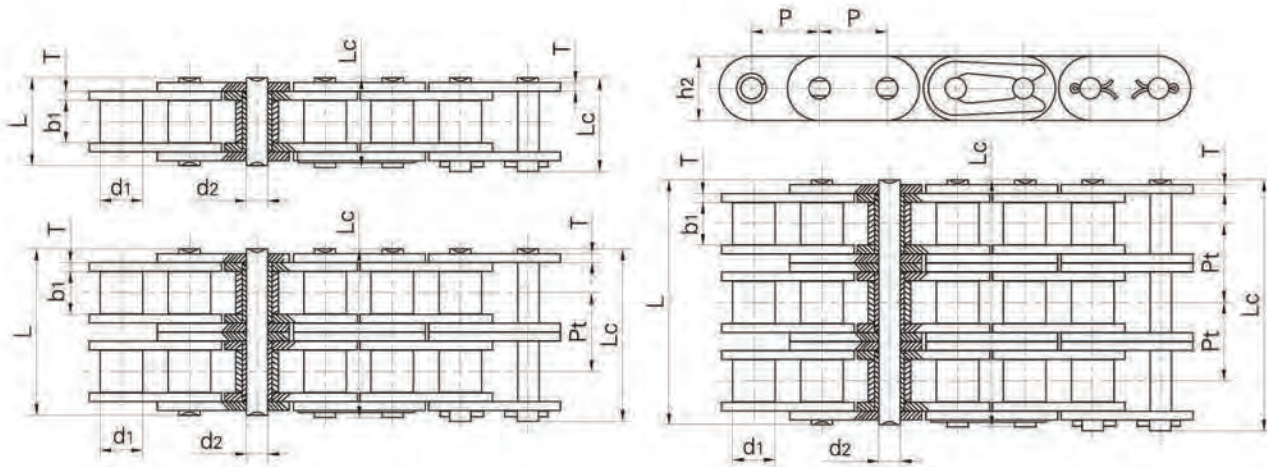
DIN/ISO 链号 DIN/ISO Chain No.	ANSI 链号 ANSI Chain No.	节距 Pitch P	滚子直径 Roller diameter d <sub>1</sub> max	内节内宽 Width between inner plates b <sub>1</sub> min	销轴直径 Pin diameter d <sub>2</sub> max	销轴长度 Pin length		内链板高度 Inner plate depth h <sub>2</sub> max	链板厚度 Plate thick- ness T max	极限拉伸载荷 Ultimate tensile strength Q <sub>min</sub>	平均拉伸载荷 Average tensile strength Q <sub>0</sub>	每米长重 Weight per meter q
						L max	L <sub>c</sub> max					
C208A	C2040	25.40	7.95	7.85	3.96	16.6	17.8	12.0	1.50	14.1/3205	16.7	0.50
C208AL	C2042		15.88			0.84						
C208AH	C2040H	25.40	7.95	7.85	3.96	18.8	19.9	12.0	2.03	14.1/3205	17.2	0.65
C208B		25.40	8.51	7.75	4.45	16.7	18.2	11.8	1.60	18.0/4091	19.4	0.55
C208BL			C2082			15.88	0.89					
C210A	C2050	31.75	10.16	9.40	5.08	20.7	22.2	15.0	2.03	22.2/5045	28.1	0.78
C210AL	C2052		19.05			1.27						
C212A	C2060	38.10	11.91	12.57	5.94	25.9	27.7	18.0	2.42	31.8/7227	36.8	1.12
C212AL	C2062		22.23			1.61						
C212AH	C2060H	38.10	11.91	12.57	5.94	29.2	31.6	18.0	3.25	31.8/7227	41.6	1.44
C212AHL	C2062H		22.23			2.07						
C216A	C2080	50.80	15.88	15.75	7.92	32.7	36.5	24.0	3.25	56.7/12886	65.7	2.08
C216AL	C2082		28.58			3.12						
C216AH	C2080H	50.80	15.88	15.75	7.92	36.2	39.4	24.0	4.00	56.7/12886	70.0	2.54
C216AHL	C2082H		28.58			3.58						
C220A	C2100	63.50	19.05	18.90	9.53	40.4	44.7	30.0	4.00	88.5/20114	102.6	3.01
C220AL	C2102		39.67			4.83						
C220AH	C2100H	63.50	19.05	18.90	9.53	43.6	46.9	30.0	4.80	88.5/20114	112.4	3.56
C220AHL	C2102H		39.67			5.38						
C224A	C2120	76.20	22.23	25.22	11.10	50.3	54.3	35.7	4.80	127.0/28864	147.3	4.66
C224AL	C2122		44.45			7.66						
C224AH	C2120H	76.20	22.23	25.22	11.10	53.5	57.5	35.7	5.60	127.0/28864	160.9	5.26
C224AHL	C2122H		44.45			8.26						
C232A	C2160	101.60	28.58	31.75	14.27	64.8	69.6	47.8	6.40	226.8/51545	278.9	8.15
C232AL	C2162		57.15			13.00						
C232AH	C2160H	101.60	28.58	31.75	14.27	68.2	73.0	47.8	7.20	226.8/51545	285.8	9.06
C232AHL	C2162H		57.15			13.84						

**B系列直板滚子链**  
**Roller chains with straight side plates (B series)**


DIN/ISO 链号 DIN/ISO Chain No.	节距 Pitch	滚子直径 Roller diameter	内节内宽 Width between inner plates	销轴直径 Pin diameter	销轴长度 Pin length		内链板高度 Inner plate depth	链板厚度 Plate thick- ness	排距 Transverse pitch	极限拉伸载荷 Ultimate tensile strength	平均拉伸载荷 Average tensile strength	每米长重 Weight per meter
	P	d1 max	b1 min	d2 max	L max	Lc max	h2 max	t/T max	Pt	Q min	Q0	q
	mm	mm	mm	mm	mm	mm	mm	mm	mm	kN/LB	kN	kg/m
C08B-1	12.700	8.51	7.75	4.45	16.7	18.2	11.8	1.60		18.0/4091	19.5	0.80
C10B-1	15.875	10.16	9.65	5.08	19.5	20.9	14.7	1.70		22.4/5091	27.9	1.06
C12B-1	19.050	12.07	11.68	5.72	22.5	25.2	16.0	1.85		29.0/6591	32.2	1.32
C16B-1	25.400	15.88	17.02	8.28	36.1	39.1	21.0/24.0	4.15/3.1		60.0/13636	72.8	3.08/3.49
C20B-1	31.750	19.05	19.56	10.19	41.3	45.0	26.4	4.5/3.5		95.0/21591	106.7	4.16
C24B-1	38.100	25.40	25.40	14.63	53.4	57.8	33.2	6.0/4.8		160.0/36364	178.0	7.47
C28B-1	44.450	27.94	30.99	15.90	65.1	69.5	36.7	7.5/6.0		200.0/45455	222.0	9.90
C32B-1	50.800	29.21	30.99	17.81	66.0	71.0	42.0	7.0/6.0		250.0/56818	277.5	10.45
C08B-2	12.700	8.51	7.75	4.45	31.2	32.2	11.8	1.60	13.92	32.0/7273	38.7	1.45
C10B-2	15.875	10.16	9.65	5.08	36.1	37.5	14.7	1.70	16.59	44.5/10114	57.8	2.00
C12B-2	19.050	12.07	11.68	5.72	42.0	44.7	16.0	1.85	19.46	57.8/13136	66.1	2.62
C16B-2	25.400	15.88	17.02	8.28	68.0	71.0	21.0/24.0	4.15/3.1	31.88	106.0/24091	133.0	6.10/6.92
C20B-2	31.750	19.05	19.56	10.19	77.8	81.5	26.4	4.5/3.5	36.45	170.0/38636	211.2	8.23
C24B-2	38.100	25.40	25.40	14.63	101.7	106.2	33.2	6.0/4.8	48.36	280.0/63636	319.2	14.77
C28B-2	44.450	27.94	30.99	15.90	124.6	129.1	36.7	7.5/6.0	59.56	360.0/81818	406.8	19.82
C32B-2	50.800	29.21	30.99	17.81	124.6	129.6	42.0	7.0/6.0	58.55	450.0/102273	508.5	20.94
C08B-3	12.700	8.51	7.75	4.45	45.1	46.1	11.8	1.60	13.92	47.5/10795	57.8	2.10
C10B-3	15.875	10.16	9.65	5.08	52.7	54.1	14.7	1.70	16.59	66.7/15159	84.5	2.87
C12B-3	19.050	12.07	11.68	5.72	61.5	64.2	16.0	1.85	19.46	86.7/19705	101.8	3.89
C16B-3	25.400	15.88	17.02	8.28	99.8	102.9	21.0/24.0	4.15/3.1	31.88	160.0/36364	203.7	9.12/10.34
C20B-3	31.750	19.05	19.56	10.19	114.2	117.9	26.4	4.5/3.5	36.45	250.0/56818	290.0	11.34
C24B-3	38.100	25.40	25.40	14.63	150.1	154.6	33.2	6.0/4.8	48.36	425.0/96591	493.0	22.10
C28B-3	44.450	27.94	30.99	15.90	184.2	188.7	36.7	7.5/6.0	59.56	530.0/120454	609.5	29.64
C32B-3	50.800	29.21	30.99	17.81	183.2	188.2	42.0	7.0/6.0	58.55	670.0/152273	770.5	31.27



## A系列直板滚子链 Roller chains with straight side plates (A series)

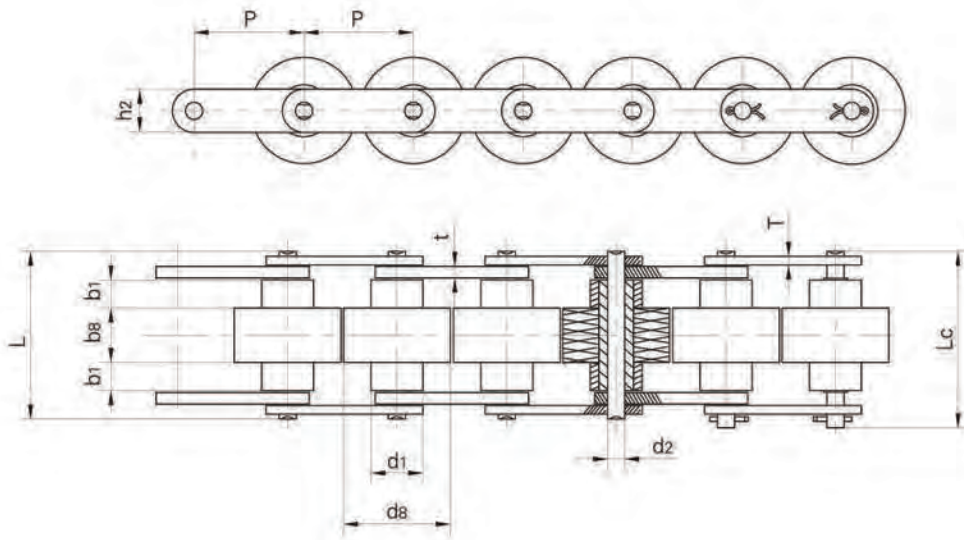


DIN/ISO 链号 DIN/ISO Chain No.	ANSI 链号 ANSI Chain No.	节距 Pitch	滚子直径 Roller diameter	内节内宽 Width between inner plates	销轴直径 Pin diameter	销轴长度 Pin length		内链板高度 Inner plate depth	链板厚度 Plate thick- ness	排距 Transverse pitch	极限拉伸载荷 Ultimate tensile strength	平均拉伸载荷 Average tensile strength	每米长重 Weight per meter				
						L	Lc							Pt	Q min	Q0	q
						max	max										
	*C35	9.525	5.08	4.77	3.58	13.3	14.3	9.00	1.30		7.9/1795	10.8	0.41				
C08A-1	C40	12.700	7.95	7.85	3.96	16.6	18.8	12.00	1.50		14.1/3273	17.5	0.73				
C10A-1	C50	15.875	10.16	9.40	5.08	20.7	23.3	15.09	2.03		22.2/5045	29.4	1.23				
C12A-1	C60	19.050	11.91	12.57	5.94	25.9	28.3	18.0/18.2	2.42		31.8/7227	41.5	1.81/1.83				
C16A-1	C80	25.400	15.88	15.75	7.92	32.7	36.5	24.00	3.25		56.7/12886	69.4	3.09				
C20A-1	C100	31.750	19.05	18.90	9.53	40.4	44.7	30.00	4.00		88.5/20114	109.2	4.56				
C24A-1	C120	38.100	22.23	25.22	11.10	50.3	54.3	35.70	4.80		127.0/28864	156.3	6.86				
C28A-1	C140	44.450	25.40	25.22	12.70	54.4	59.0	41.00	5.60		172.4/39182	212.0	8.49				
C32A-1	C160	50.800	28.58	31.55	14.27	64.8	69.6	47.80	6.40		226.8/51545	278.9	11.50				
C08A-2	C40-2	12.700	7.95	7.85	3.96	31.0	33.2	12.00	1.50	14.38	28.2/6409	35.9	1.43				
C10A-2	C50-2	15.875	10.16	9.40	5.08	38.9	41.4	15.09	2.03	18.11	44.4/10091	58.1	2.42				
C12A-2	C60-2	19.050	11.91	12.57	5.94	48.8	51.1	18.0/18.2	2.42	22.78	63.6/14455	82.1	3.58/3.62				
C16A-2	C80-2	25.400	15.88	15.75	7.92	62.7	65.8	24.00	3.25	29.29	113.4/25773	141.8	6.12				
C20A-2	C100-2	31.750	19.05	18.90	9.53	76.4	80.5	30.00	4.00	35.76	177.0/40227	219.4	9.08				
C24A-2	C120-2	38.100	22.23	25.22	11.10	95.8	99.7	35.70	4.80	45.44	254.0/57727	314.9	13.60				
C28A-2	C140-2	44.450	25.40	25.22	12.70	103.3	107.9	41.00	5.60	48.87	344.8/78364	427.5	16.86				
C32A-2	C160-2	50.800	28.58	31.55	14.27	123.3	128.1	47.80	6.40	58.55	453.6/103091	562.4	22.90				
C08A-3	C40-3	12.700	7.95	7.85	3.96	45.4	47.6	12.00	1.50	14.38	42.3/9614	50.0	2.14				
C10A-3	C50-3	15.875	10.16	9.40	5.08	57.0	59.5	15.09	2.03	18.11	66.6/15136	77.8	3.62				
C12A-3	C60-3	19.050	11.91	12.57	5.94	71.5	73.9	18.0/18.2	2.42	22.78	95.4/21682	111.1	5.36/5.41				
C16A-3	C80-3	25.400	15.88	15.75	7.92	91.7	95.1	24.00	3.25	29.29	170.1/38659	198.4	9.10				
C20A-3	C100-3	31.750	19.05	18.90	9.53	112.2	116.3	30.00	4.00	35.76	265.5/60341	309.6	13.60				
C24A-3	C120-3	38.100	22.23	25.22	11.10	141.4	145.2	35.70	4.80	45.44	381.0/86591	437.2	20.43				
C28A-3	C140-3	44.450	25.40	25.22	12.70	152.2	156.8	41.00	5.60	48.87	517.2/117545	593.3	25.23				
C32A-3	C160-3	50.800	28.58	31.55	14.27	181.8	186.6	47.80	6.40	58.55	680.4/154636	780.6	34.19				

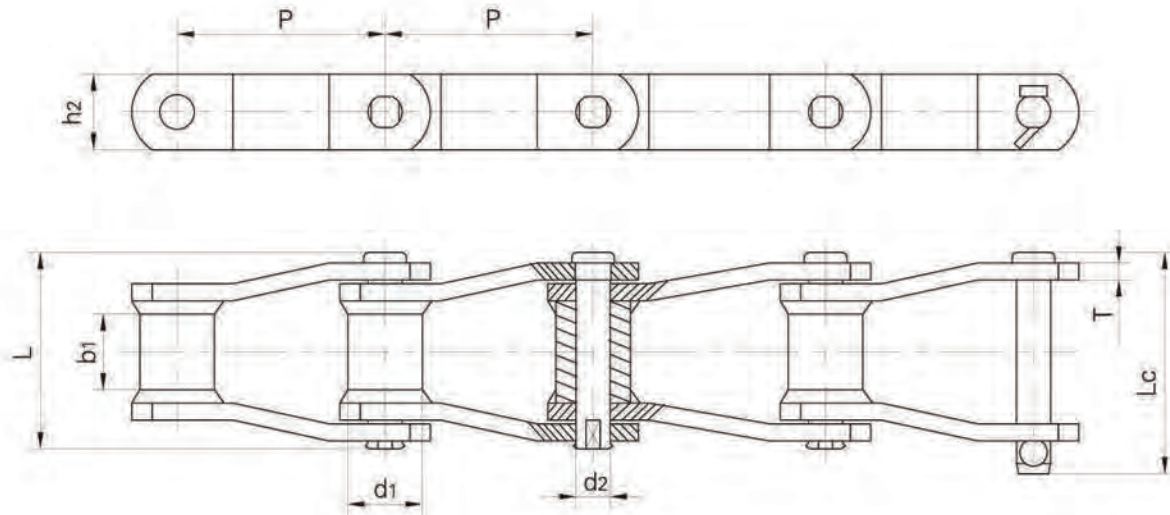
\*套筒链:表中滚子直径d1为套筒直径

\*Bushing chain: d1 in the table indicate the external diameter of the bushing.

## 倍速链 Double plus chains



JB 链号 JB Chain No.	Vision Chain No.	节距	滚子尺寸				销轴直径	销轴长度		链板尺寸			每米长重
		Pitch	Roller dimension				Pin diameter	Pin length		Plate dimension			Weight per meter
		P	d <sub>1</sub> max	d <sub>8</sub> max	b <sub>1</sub> min	b <sub>8</sub> max	d <sub>2</sub> max	L max	L <sub>c</sub> max	h <sub>2</sub> max	T max	t max	q
		mm	mm	mm	mm	mm	mm	mm	mm	mm	mm	mm	kg/m
BS25-C206B	C2030W	19.05	11.91	18.3	4.00	8.0	3.28	24.0	25.6	8.20	1.30	1.50	0.52
BS25-C208A	C2040W	25.40	15.88	24.6	5.70	10.3	3.96	31.0	32.8	11.70	1.50	1.50	0.79
BS25-C210A	C2050W	31.75	19.05	30.6	7.10	13.0	5.08	39.5	41.2	15.00	2.03	2.03	1.36
BS25-C212A	C2060HW	38.10	22.23	36.6	8.50	15.5	5.94	48.8	51.5	18.00	3.25	3.25	2.19
BS25-C216A	C2080W	50.80	28.58	49.0	11.00	21.5	7.92	66.2	70.0	24.00	4.00	5.00	4.06
BS30-C206B		19.05	9.00	18.3	4.50	9.1	3.28	26.3	29.6	7.28	1.30	1.50	0.50
BS30-C208A		25.40	11.91	24.6	6.10	12.5	3.96	35.6	39.5	9.60	1.50	2.00	0.83
BS30-C210A		31.75	14.80	30.6	7.50	15.0	5.08	43.0	47.1	12.20	2.00	2.40	1.27
BS30-C212A		38.10	18.00	37.0	9.75	20.0	5.94	58.1	62.7	15.00	3.00	4.00	2.14
BS30-C216A		50.80	22.23	49.0	12.00	25.2	7.92	71.9	77.3	18.60	4.00	5.00	3.55

**焊接弯板链**  
**Welded steel chains**


Chain No.	节距	套筒直径	内节内宽	销轴直径	销轴长度		链板高度	链板厚度	极限拉伸载荷	平均拉伸载荷	每米长重
	Pitch	Bush diameter	Inside width for sprocket contact	Pin diameter	Pin length		Plate depth	Plate thickness	Ultimate tensile strength	Average tensile strength	Weight per meter
	P	$d_1$ max	$b_1$ min	$d_2$ max	L max	$L_c$ max	$h_2$ max	T	$Q_{min}$	$Q_0$	q
	mm	mm	mm	mm	mm	mm	mm	mm	kN/LB	kN	kg/m
WR78 WH78	66.27	22.9	28.4	12.78	73.0	79.3	28.4	6.4	93.4/21227 106.8/24273	102.7 117.5	6.20
WR82 WH82	78.10	31.5	31.8	14.35	80.0	86.0	31.8	6.4	100.1/22750 131.2/29818	110.1 144.3	7.98
WR106 WH106	152.40	37.1	41.2	19.13	103.0	111.0	38.1	9.7	169.0/38409 224.6/51045	185.9 247.0	10.56
WR110 WH110	152.40	32.0	46.7	19.13	107.7	115.5	38.1	9.7	169.0/38409 224.6/51045	185.9 247.0	10.40
WR111 WH111	120.90	37.1	57.2	19.13	116.8	124.5	38.1	9.7	169.0/38409 224.6/51045	185.9 247.0	12.72
WR124 WH124	101.60	37.1	41.2	19.13	103.0	110.0	38.1	9.7	169.0/38409 224.6/51045	185.9 247.0	12.38
WR124H WH124H	103.20	41.7	41.2	22.30	131.6	133.0	50.8	12.7	275.8/62682 355.9/80886	303.3 391.4	19.68
WR132 WH132	153.67	44.7	76.2	25.48	151.0	162.2	50.8	12.7	275.8/62682 378.1/85932	303.3 415.9	20.00

注: WR 仅销轴和套筒热处理

WH 所有零件热处理

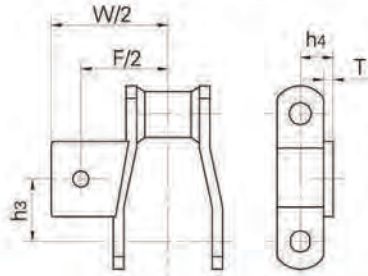
Note: WR - Welded steel chain c/w heat treated pins &amp; bushings

WH - Welded steel chain - fully heat treated

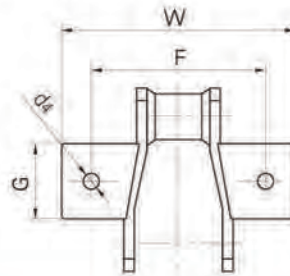
## 焊接弯板链附件

### Welded steel chain with attachments

带A1附板 With A1 attachments

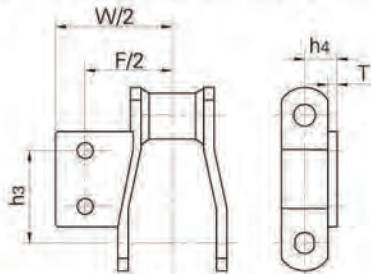


带K1附板 With K1 attachments

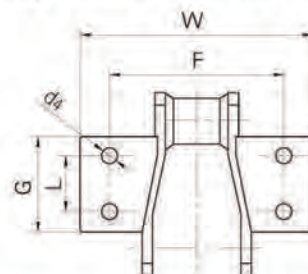


Chain No.	h <sub>3</sub>	G	F	W	h <sub>4</sub>	d <sub>4</sub>	T
	mm	mm	mm	mm	mm	mm	mm
WR78 WH78	31.8	36.6	101.6	130.0	22.4	9.7	6.4
WR82 WH82	38.1	46.0	106.7	142.7	23.9	9.7	6.4

带A2附板 With A2 attachments



带K2附板 With K2 attachments

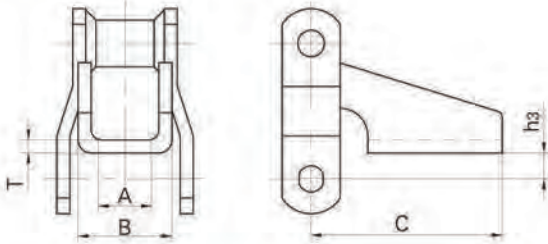


Chain No.	L	G	h <sub>3</sub>	F	W	h <sub>4</sub>	d <sub>4</sub>	T
	mm	mm	mm	mm	mm	mm	mm	mm
WR78 WH78	28.4	52.3	38.9	101.6	130.0	22.4	9.7	6.4
WR82 WH82	33.3	62.0	52.3	108.2	142.7	23.9	9.7	6.4
WR110 WH110	44.4	84.1	98.6	135.1	168.1	30.0	9.7	9.7
WR111 WH111	58.7	90.4	89.9	159.0	193.5	30.0	12.7	9.7
WR124 WH124	49.3	77.7	71.4	133.6	180.8	30.0	9.7	9.7
WR124H WH124H	49.3	80.8	73.2	133.6	165.6	39.6	12.7	12.7
WR132 WH132	69.8	80.8	106.2	190.5	234.7	39.6	12.7	12.7

## 焊接弯板链附件

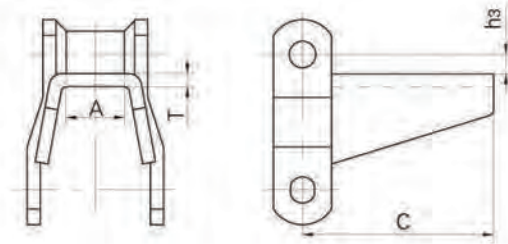
### Welded steel chain with attachments

H1附件 With H1 attachments



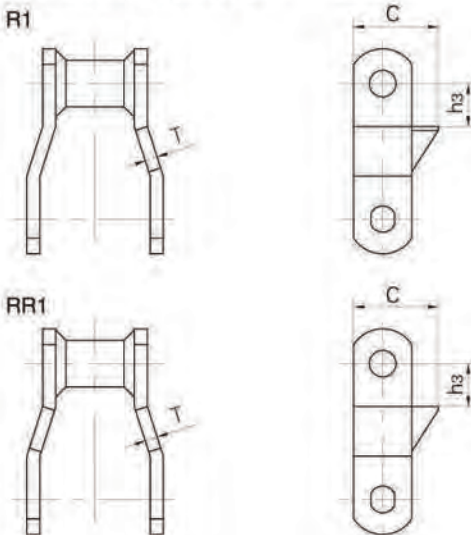
Chain No.	h <sub>3</sub>	A	B	C	T
	mm	mm	mm	mm	mm
WR78 WH78	12.7	22.4	50.8	93.5	6.4
WR82 WH82	15.7	28.4	57.2	93.5	6.4

H2附件 With H2 attachments



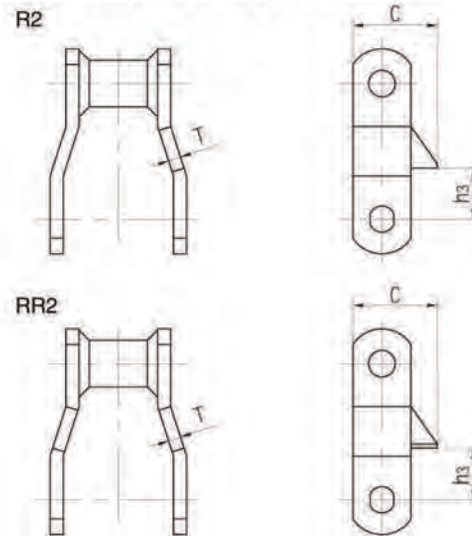
Chain No.	h <sub>3</sub>	A	C	T
	mm	mm	mm	mm
WR78 WH78	7.9	20.8	93.5	6.4
WR82 WH82	7.9	26.4	96.8	6.4

带R1 & RR1附件 With R1 & RR1 attachments



Chain No.	h <sub>3</sub>	C	T
	mm	mm	mm
WR78 WH78	17.3	41.1	6.4
WR82 WH82	22.4	49.3	6.4
WR124 WH124	31.8	49.3	9.7

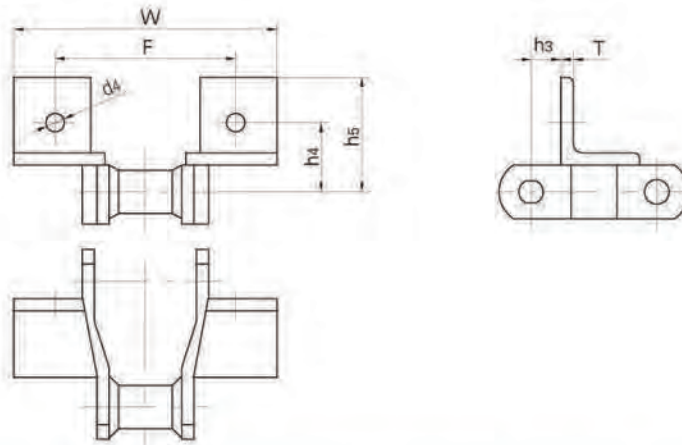
带R2 & RR2附件 With R2 & RR2 attachments



Chain No.	h <sub>3</sub>	C	T
	mm	mm	mm
WR78 WH78	17.3	41.1	6.4
WR82 WH82	22.4	49.3	6.4
WR124 WH124	31.8	49.3	9.7

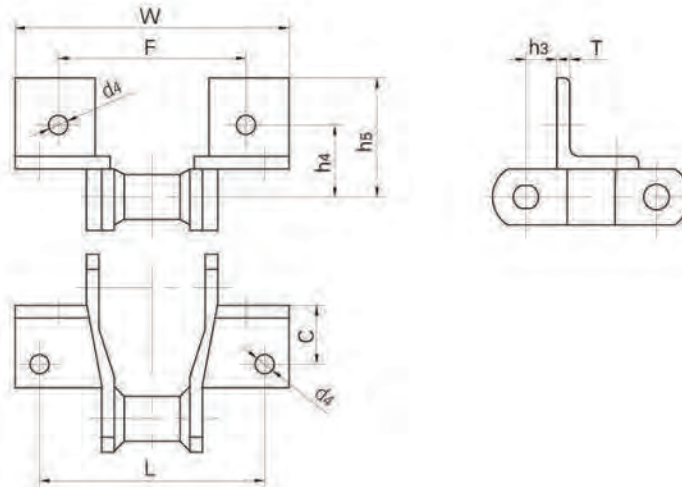
焊接弯板链附件  
Welded steel chain with attachments

带F2附件 With F2 attachments

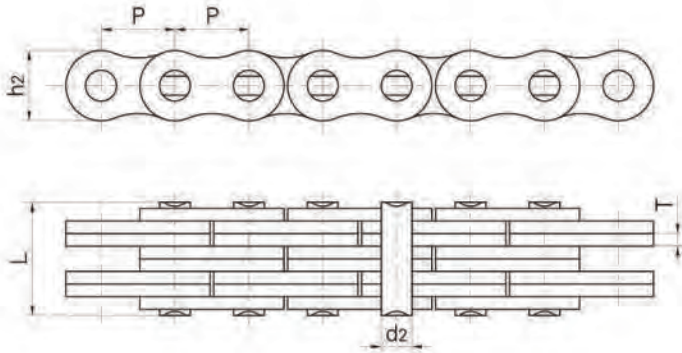


Chain No.	h3	h4	h5	F	W	d4	T
	mm	mm	mm	mm	mm	mm	mm
WR78	15.7	36.6	60.5	95.5	138.2	9.7	6.4
WH78							

带F4附件 With F4 attachments



Chain No.	h3	h4	h5	L	C	F	W	d4	T
	mm	mm	mm	mm	mm	mm	mm	mm	mm
WR78	17.3	44.4	60.5	114.3	31.8	95.2	141.2	9.7	6.4
WH78									
WR82	20.6	46.2	62.0	127.0	28.4	104.6	150.9	9.7	6.4
WH82									
WR124	22.4	52.3	73.2	133.6	36.6	111.3	157.0	9.7	9.7
WH124									

**板式鏈**  
**Leaf chains**

 鏈板組合  
 Plate lacing


2x2



3x4



4x4

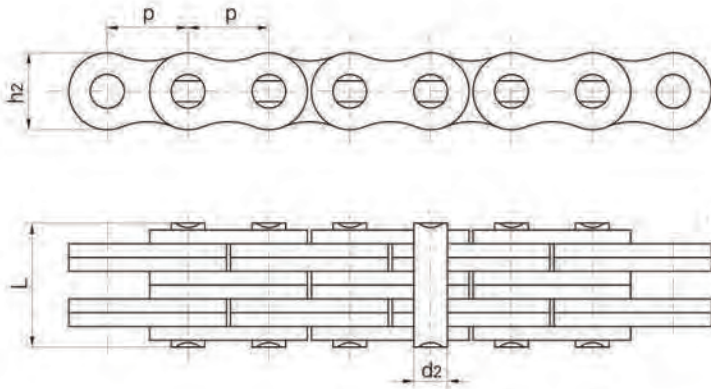
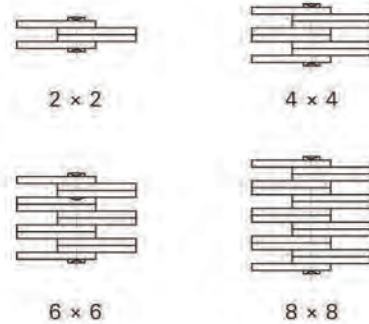


6x6



8x8

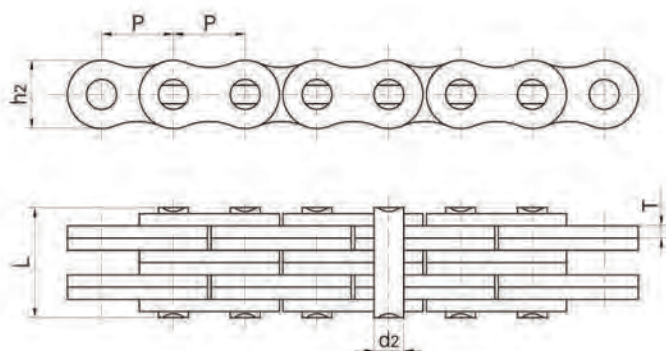
ANSI 鏈号	节距	鏈板組合	鏈板高度	鏈板厚度	销轴直径	销轴长度	极限拉伸载荷	平均拉伸载荷	每米长重
ANSI Chain No.	P	Plate lacing	Plate depth	Plate thickness	Pin diameter	Pin length	Ultimate tensile strength	Average tensile strength	Weight per meter
	mm		h <sub>2</sub> max	T max	d <sub>2</sub> max	L max	Q min	Q <sub>0</sub>	q
	mm		mm	mm	mm	mm	kN/LB	kN	kg/m
AL322		2 X 2				6.8	9.0/2045	10.2	0.23
AL344	9.525	4 X 4	7.7	1.3	3.58	11.6	18.0/4090	20.0	0.46
AL422		2 X 2				8.3	14.1/3205	16.9	0.39
AL444	12.7	4 X 4	10.4	1.5	3.96	14.4	28.2/6409	35.2	0.74
AL466		6 X 6				20.5	42.3/9614	52.7	1.13
AL522		2 X 2				11.05	22.0/5000	27.5	0.64
AL534		3 X 4				17.0	33.0/7500	46.0	1.10
AL544	15.875	4 X 4	12.8	2.03	5.08	19.4	44.0/10000	55.0	1.25
AL566		6 X 6				27.5	66.0/15000	82.5	1.79
AL622		2 X 2				13.0	37.0/8409	44.4	0.86
AL644		4 X 4				22.7	63.7/14450	78.8	1.76
AL666	19.05	6 X 6	15.6	2.42	5.94	32.2	100.1/22750	118.6	2.60
AL688		8 X 8				42.2	133.4/30317	156.6	3.49
AL822		2 X 2				16.0	56.7/12886	68.6	1.54
AL844	25.4	4 X 4	20.5	3.25	7.92	29.4	113.4/25773	135.6	3.00
AL866		6 X 6				44.2	170.0/38636	202.3	4.46
AL1022		2 X 2				19.6	88.5/20114	107.1	2.37
AL1044		4 X 4				36.4	177.0/40227	203.6	4.68
AL1066	31.75	6 X 6	25.6	4.0	9.53	52.3	265.0/60227	315.3	7.20
AL1088		8 X 8				68.5	354.0/80454	421.2	9.94
AL1222		2 X 2				24.3	127.0/28864	151.1	3.65
AL1244		4 X 4				43.8	254.0/57727	299.7	7.05
AL1266	38.1	6 X 6	30.5	4.8	11.10	63.2	381.0/86591	426.3	10.50
AL1288		8 X 8				82.6	508.0/11545	568.4	14.03
AL1444	44.45	4 X 4	36.4	5.6	12.64	51.3	372.7/84705	413.6	10.34
AL1466		6 X 6				74.56	559.0/127045	620.4	15.16
AL1644		4 X 4				58.0	471.0/107045	522.8	12.98
AL1666	50.8	6 X 6	41.6	6.4	14.21	83.8	706.0/160454	783.6	19.76
AL1688		8 X 8				109.5	942.0/214090	1045.5	25.47

**板式鏈**  
**Leaf chains**

 鏈板組合  
 Plate lacing


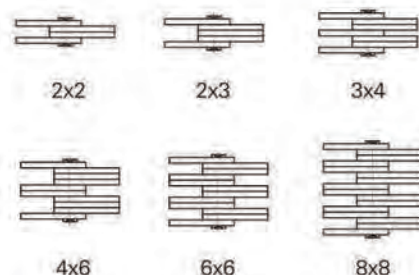
DIN/ISO 鏈號	節距 Pitch	鏈板組合 Plate lacing	鏈板高度 Plate depth	鏈板厚度 Plate thickness	銷軸直徑 Pin diameter	銷軸長度 Pin length	極限拉伸載荷 Ultimate tensile strength	平均拉伸載荷 Average tensile strength	每米長重 Weight per meter
DIN/ISO Chain No.	P		h <sub>2</sub> max	T max	d <sub>2</sub> max	L max	Q <sub>min</sub>	Q <sub>0</sub>	q
	mm		mm	mm	mm	mm	kN/LB	kN	kg/m
LL0822	12.7	2 × 2	10.6	1.6	4.45	8.9	18.2/4094	20.4	0.42
LL0844		4 × 4				15.6	36.4/8188	40.7	0.84
LL0866		6 × 6				22.0	54.6/12283	60.0	1.24
LL0888		8 × 8				28.5	72.8/16378	80.0	1.64
LL1022	15.875	2 × 2	13.7	1.6	5.08	9.2	22.7/5107	25.5	0.54
LL1044		4 × 4				15.8	45.4/10213	51.0	1.06
LL1066		6 × 6				22.1	68.1/15321	76.3	1.57
LL1088		8 × 8				28.8	90.8/20427	101.9	2.10
LL1222	19.05	2 × 2	16.0	1.85	5.72	10.4	29.5/6637	33.2	0.73
LL1244		4 × 4				17.9	59.0/13273	66.4	1.44
LL1266		6 × 6				25.4	88.5/19910	99.7	2.15
LL1288		8 × 8				32.9	118.0/26547	132.9	2.84
LL1622	25.4	2 × 2	21.0	3.1	8.28	17.2	58.0/13182	66.7	1.52
LL1644		4 × 4				29.6	116.0/26363	140.0	2.90
LL1666		6 × 6				42.4	174.0/39545	208.8	4.30
LL1688		8 × 8				54.9	232.0/52726	278.0	5.71
LL2022	31.75	2 × 2	26.4	3.5	10.19	20.1	95.0/21591	109.2	2.33
LL2044		4 × 4				33.8	190.0/43182	218.5	4.40
LL2066		6 × 6				50.1	285.0/64773	324.6	6.79
LL2088		8 × 8				64.0	380.0/86363	435.1	8.90



## 板式鏈 Leaf chains

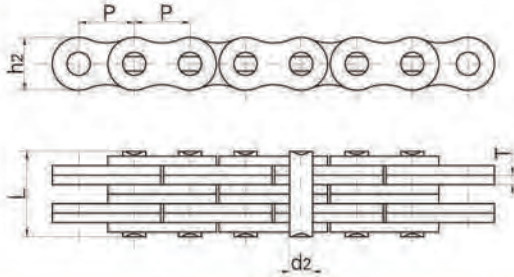


鏈板組合  
Plate lacing

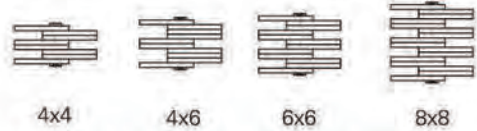
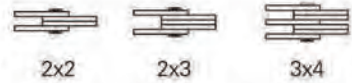


ISO 鏈號 ISO Chain No.	ANSI 鏈號 ANSI Chain No.	節距 Pitch P mm	鏈板組合 Plate lacing	鏈板高度 Plate depth h <sub>2</sub> max mm	鏈板厚度 Plate thickness T max mm	銷軸直徑 Pin diameter d <sub>2</sub> max mm	銷軸長度 Pin length L max mm	極限拉伸載荷 Ultimate tensile strength Q min kN/LB	平均拉伸載荷 Average tensile strength Q <sub>0</sub> kN	每米長重 Weight per meter q kg/m
LH0822	BL422	12.7	2 × 2	12.07	2.08	5.09	11.05	22.2/5045	27.6	0.64
LH0823	BL423		2 × 3				13.16	22.2/5045	27.6	0.80
LH0834	BL434		3 × 4				17.40	33.4/7591	41.4	1.12
LH0844	BL444		4 × 4				19.51	44.5/10114	56.0	1.28
LH0846	BL446		4 × 6				23.75	44.5/10114	56.0	1.60
LH0866	BL466		6 × 6				27.99	66.7/15159	81.7	1.92
LH0888	BL488		8 × 8				36.45	89.0/20227	109.4	2.56
LH1022	BL522	15.875	2 × 2	15.09	2.44	5.96	12.90	33.4/7591	43.1	0.88
LH1023	BL523		2 × 3				15.37	33.4/7591	43.1	1.10
LH1034	BL534		3 × 4				20.32	48.9/11114	65.6	1.50
LH1044	BL544		4 × 4				22.78	66.7/15159	84.5	1.80
LH1046	BL546		4 × 6				27.74	66.7/15159	84.5	2.20
LH1066	BL566		6 × 6				32.69	100.1/22750	125.1	2.65
LH1088	BL588		8 × 8				42.57	133.4/30318	169.5	3.50
LH1222	BL622	19.05	2 × 2	18.11	3.30	7.94	17.37	48.9/11114	63.6	1.45
LH1223	BL623		2 × 3				20.73	48.9/11114	63.6	1.80
LH1234	BL634		3 × 4				27.43	75.6/17181	102.8	2.50
LH1244	BL644		4 × 4				30.78	97.9/22250	120.9	2.90
LH1246	BL646		4 × 6				37.49	97.9/22250	120.9	3.60
LH1266	BL666		6 × 6				44.20	146.8/33364	190.8	4.30
LH1288	BL688		8 × 8				57.61	195.7/44477	238.8	5.80
LH1622	BL822	25.4	2 × 2	24.13	4.09	9.54	21.34	84.5/19204	108.2	2.20
LH1623	BL823		2 × 3				25.48	84.5/19204	108.2	2.70
LH1634	BL834		3 × 4				33.76	129.0/29318	170.0	3.80
LH1644	BL844		4 × 4				37.90	169.0/38409	214.6	4.30
LH1646	BL846		4 × 6				46.18	169.0/38409	214.6	5.40
LH1666	BL866		6 × 6				54.46	253.6/57636	324.5	6.50
LH1688	BL888		8 × 8				71.02	338.1/76841	432.7	8.60

## 板式鏈 Leaf chains

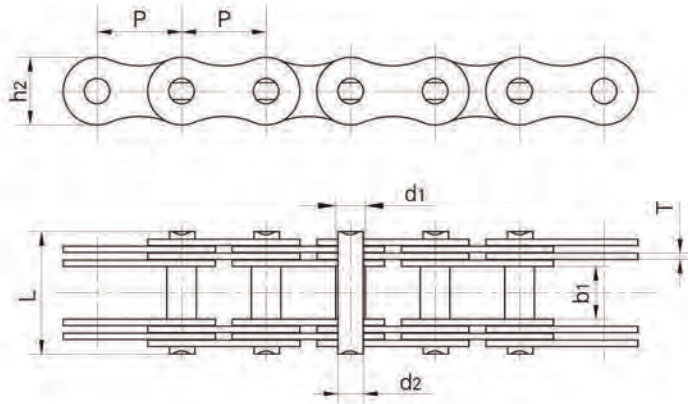


链板组合  
Plate lacing

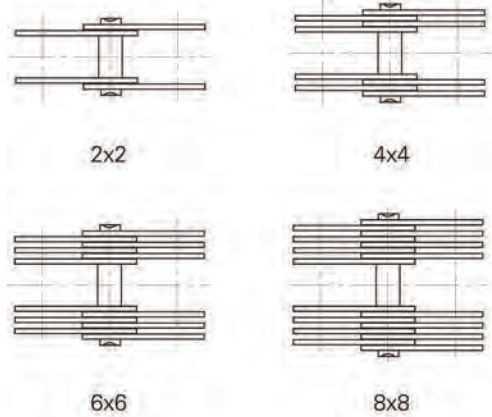


ISO 链号 ISO Chain No.	ANSI 链号 ANSI Chain No.	节距 Pitch P mm	链板组合 Plate lacing	链板高度 Plate depth hz max mm	链板厚度 Plate thickness T max mm	销轴直径 Pin diameter d2 max mm	销轴长度 Pin length L max mm	极限拉伸载荷 Ultimate tensile strength Q min kN/LB	平均拉伸载荷 Average tensile strength Qb kN	每米长重 Weight per meter q kg/m
LH2022	BL1022	31.75	2 × 2	30.18	4.9	11.11	25.37	115.6/26272	150.8	3.40
LH2023	BL1023		2 × 3				30.33	115.6/26272	150.8	4.30
LH2034	BL1034		3 × 4				40.23	182.4/41454	231.6	6.00
LH2044	BL1044		4 × 4				45.19	231.3/52568	291.4	6.90
LH2046	BL1046		4 × 6				55.09	231.3/52568	291.4	8.60
LH2066	BL1066		6 × 6				65.00	347.0/78863	430.3	10.30
LH2088	BL1088		8 × 8				84.81	462.6/105136	555.1	13.80
LH2422	BL1222		2 × 2				29.62	151.2/34363	192.0	4.6
LH2423	BL1223	2 × 3	35.43	151.2/34363	192.0	5.8				
LH2434	BL1234	3 × 4	47.07	244.6/55591	315.9	8.1				
LH2444	BL1244	38.1	4 × 4	36.20	5.77	12.71	52.88	302.5/68750	381.1	9.3
LH2446	BL1246		4 × 6				64.52	302.5/68750	381.1	11.6
LH2466	BL1266		6 × 6				76.15	453.7/103113	543.6	13.9
LH2488	BL1288		8 × 8				99.42	605.0/137500	726.0	18.6
LH2822	BL1422		2 × 2				33.55	191.3/43477	225.7	6.1
LH2823	BL1423		2 × 3				40.16	191.3/43477	225.7	7.6
LH2834	BL1434		3 × 4				53.37	315.8/71772	372.6	10.6
LH2844	BL1444		44.45				4 × 4	42.24	6.55	14.29
LH2846	BL1446	4 × 6		73.18	382.6/86954	451.2	15.2			
LH2866	BL1466	6 × 6		86.39	578.3/131431	682.4	18.2			
LH2888	BL1488	8 × 8		112.8	765.1/173886	902.8	24.3			
LH3222	BL1622	2 × 2		39.01	289.1/65704	341.1	8.0			
LH3223	BL1623	2 × 3		46.58	289.1/65704	341.1	10.0			
LH3234	BL1634	3 × 4		61.72	440.4/100091	519.6	14.0			
LH3244	BL1644	50.8		4 × 4	48.26	7.52	17.46			
LH3246	BL1646		4 × 6	84.43				578.3/131431	680.4	20.0
LH3266	BL1666		6 × 6	99.57				857.4/194863	1000.7	24.0
LH3288	BL1688		8 × 8	129.84				1156.5/262841	1364.6	32.0
LH4022	BL2022		2 × 2	51.74				433.7/98568	511.7	15.8
LH4023	BL2023		2 × 3	61.70				433.7/98568	511.7	19.8
LH4034	BL2034		3 × 4	81.61				649.4/147590	766.2	27.7
LH4044	BL2044		63.5	4 × 4				60.33	9.91	23.81
LH4046	BL2046	4 × 6		111.48	867.4/197163	1023.5	39.5			
LH4066	BL2066	6 × 6		131.39	1301.1/295704	1535.2	47.4			
LH4088	BL2088	8 × 8		171.22	1734.8/394272	2046.5	63.2			

## 销轴链 pin chains



链板组合  
Plate lacing



Chain No.	节距	内节内宽	链板组合	销轴直径		销轴长度	链板高度	链板厚度	极限拉伸载荷	每米长重
	Pitch	Width between inner plates		Pin diameter		Pin length	Plate depth	Plate thickness	Ultimate tensile strength	Weight per meter
	P	b <sub>1</sub> min	Plate lacing	d <sub>1</sub> max	d <sub>2</sub> max	L max	h <sub>2</sub> max	T max	Q min	q
	mm	mm		mm	mm	mm	mm	mm	kN/LB	kg/m
G15	15	12	2 X 2	5	4	25	12	2.03	5.0/1125	0.7
G20	20	15	2 X 2	8	6	28	15	2.03	12.5/2812	1.1
G25	25	18	2 X 2	10	8	36	18	3.00	25.0/5624	1.8
G30	30	20	4 X 4	11	9	51	20	3.00	40.0/8999	3.4
G35	35	22	4 X 4	12	10	53	26	3.00	60.0/13498	4.5
G40	40	25	4 X 4	14	12	58	32	3.00	80.0/17998	5.0
G45	45	30	4 X 4	17	14	63	35	3.00	100.0/22497	7.0
G50	50	35	4 X 4	22	18	90	40	4.50	150.0/33746	11.3
G55	55	40	4 X 4	24	21	108	42	6.00	200.0/44994	14.5
G60	60	45	4 X 4	26	23	114	46	6.00	250.0/56243	17.1
G70	70	50	6 X 6	32	28	148	55	6.00	375.0/84364	34.0
G80	80	60	6 X 6	36	32	159	60	6.00	500.0/112486	39.0
G90	90	70	6 X 6	40	36	184	70	7.00	750.0/168728	53.0
G100	100	80	8 X 8	45	40	224	80	7.00	1000.0/224972	77.0
G110	110	90	8 X 8	50	45	236	90	7.00	1250.0/281215	90.0
G120	120	100	8 X 8	55	50	262	100	8.00	1500.0/337458	112.0

## OUR POSITION

我们的位置



## SALES NETWORK

我们的销售网络





Zhejiang 5 Star Industrial Co., Limited

Address: Shimao Building, 14th Street, Xiasha District,  
Hangzhou, P.R.China

Tel: 0086-571-86814931

Fax: 0086-571-86814932

E-mail: [info@5star-trans.com](mailto:info@5star-trans.com)

Website: <http://www.5star-trans.com/>