



易達傳動

5 Star Industrial Co., Limited



**浙江易達傳動件有限公司**

Zhejiang 5 Star Industrial Co., Limited

[www.5star-trans.com](http://www.5star-trans.com)

中国·浙江  
ZHEJIANG CHINA

# OUR PRODUCTS

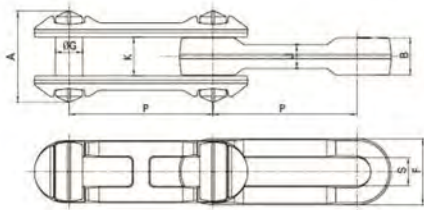




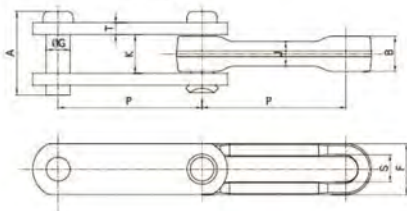
## 模鍛易拆鏈 Drop Forged Rivetless Chain



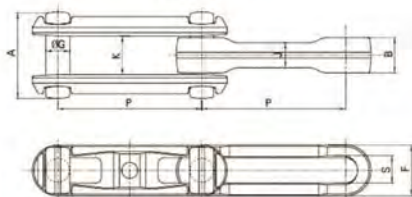
H-type



S-type



X-type

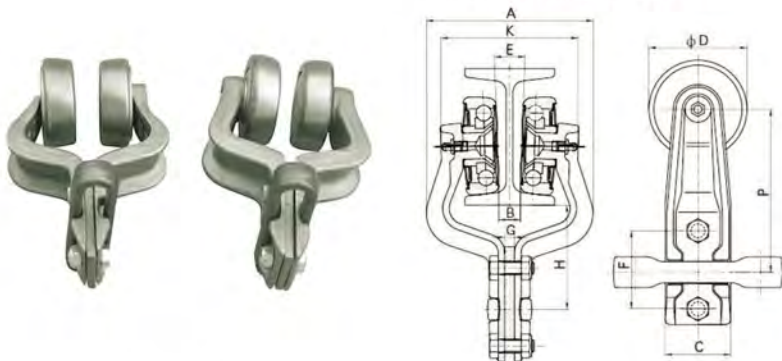


|                                   | 鏈號<br>Chain No. | 節距<br>Pitch<br>mm | 尺寸<br>Dimension |      |      |      |      | 側向轉角<br>Side<br>Corner<br>α | 標準測量長度的節距數<br>Number of Pitch<br>of Standard<br>Measurement Length | 標準測量長度<br>Standard<br>Measurement<br>Length<br>mm | 抗拉強度<br>Tensile<br>Strength<br>KN | 每米重量<br>Weight<br>kg/m |      |
|-----------------------------------|-----------------|-------------------|-----------------|------|------|------|------|-----------------------------|--|---|-----------------------------------|------------------------|------|
|                                   |                 |                   | A               | F    | G    | J    | K    |                             |  |   |                                   |                        | S    |
| 英制<br>British<br>system<br>series | 80H             | 80                | 73              | 42   | 18.4 | 20   | 34.5 | 19.5                        | 7  | 38  | 3032/3058                         | 250                    | 7.8  |
|                                   | X348            | 76.6              | 46              | 27   | 12.7 | 12.7 | 20.6 | 13.5                        | 9  | 40  | 3050.5/3095.2                     | 110                    | 3.2  |
|                                   | X458            | 102.4             | 57              | 37   | 16   | 16   | 26.5 | 17.5                        | 9  | 30  | 3063.1/3090.2                     | 210                    | 5.2  |
|                                   | 468H            | 102.4             | 84.1            | 47.8 | 18   | 29.5 | 42.9 | 22.2                        | 9  | 30  | 3063.1/3090.2                     | 318                    | 11.5 |
|                                   | X658            | 153.2             | 55.6            | 35   | 16   | 16   | 57.2 | 17.5                        | 7  | 20  | 3055.1/3082.8                     | 210                    | 4    |
|                                   | X678            | 153.2             | 77              | 50.8 | 22.2 | 21   | 34.2 | 25                          | 7  | 20  | 3055.1/3082.8                     | 320                    | 9.5  |
|                                   | 678             | 153.2             | 77              | 50.8 | 22.2 | 21   | 34.2 | 25                          | 7  | 20  | 3055.1/3082.8                     | 320                    | 9.5  |
|                                   | 698             | 153.2             | 95.25           | 64   | 28   | 25.4 | 41.3 | 32                          | 5  | 20  | 3055.1/3082.8                     | 515                    | 17   |
|                                   | 998             | 229.4             | 95.25           | 67.5 | 28   | 25.4 | 41.3 | 32                          | 5  | 13  | 3205/3232.4                       | 515                    | 14.8 |
|                                   | 9118            | 229.4             | 123.8           | 76.2 | 35   | 33.5 | 52   | 38.1                        | 5  | 13  | 3205/3232.4                       | 832                    | 24.2 |
|                                   | S348            | 76.6              | 38.9            | 28.6 | 12.7 | 12.7 | 20.6 | 13.5                        | 9  | 40  | 3050.5/3095.2                     | 110                    | 3.2  |
|                                   | S458            | 102.4             | 52.1            | 35   | 16   | 16   | 26.5 | 17.5                        | 9  | 30  | 3063.1/3090.2                     | 210                    | 5.2  |
|                                   | S678            | 153.2             | 69.8            | 50.8 | 22.2 | 21   | 34.2 | 25                          | 7  | 20  | 3055.1/3082.8                     | 320                    | 9.5  |
|                                   | S698            | 153.2             | 73              | 68.3 | 28   | 25.4 | 41.3 | 32                          | 5  | 20  | 3055.1/3082.8                     | 515                    | 17   |
| S9118                             | 229.4           | 98.4              | 77.8            | 35   | 33.5 | 52   | 38.1 | 5                           | 13   | 3205/3232.4                                       | 832                               | 24.2                   |      |
| 公制<br>Metric<br>System<br>series  | XT100           | 100               | 57              | 37   | 16   | 16   | 26.5 | 17.5                        | 9  | 30  | 2991.3/3081.3                     | 210                    | 5.2  |
|                                   | XT160           | 160               | 78              | 54   | 24   | 20.5 | 36   | 28                          | 7  | 20  | 3190.7/3219.5                     | 318                    | 10.3 |

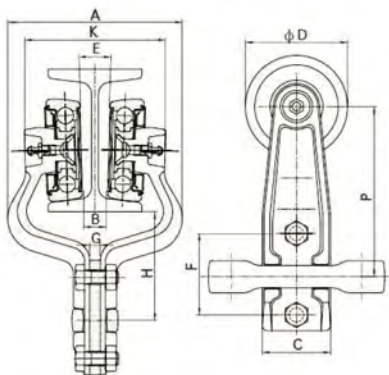
**滑架  
Forging Trolley**

**鍛造系列 Forging Chain**

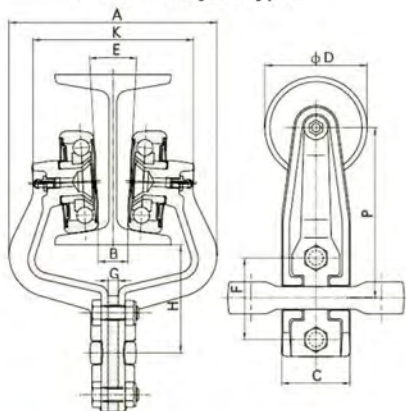
**X-348Trolley (A type)**



**X-348Trolley (B type)**



**X-348Trolley (C type)**



| Chain No.       | 鍛件參數(mm)<br>Dimensions(mm) |     |    |     |    |    |    |   |      |   |    | 重量<br>Weight |
|-----------------|----------------------------|-----|----|-----|----|----|----|---|------|---|----|--------------|
|                 | 型號<br>Type                 | P   | H  | A   | B  | C  | D  | E | F    | G | K  | KG           |
| X348TROLLEY-I   | A                          | 100 | 64 | 102 | 14 | 40 | 60 | 4 | 47.8 | 6 | 84 | 2.7          |
| X348TROLLEY-II  | B                          | 100 | 64 | 102 | 14 | 40 | 60 | 3 | 47.8 | 6 | 82 | 2.7          |
| X348TROLLEY-III | C                          | 100 | 64 | 122 | 16 | 40 | 60 | 6 | 47.8 | 6 | 94 | 2.7          |

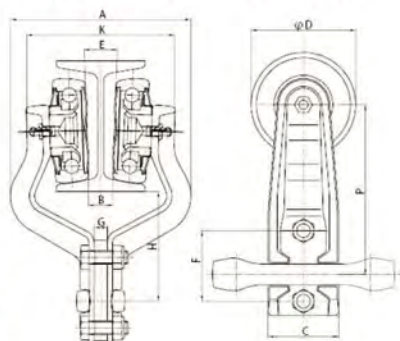


滑架  
Forging Trolley

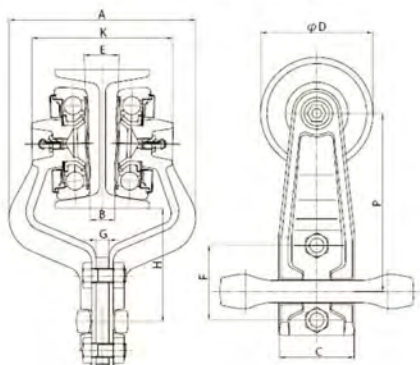
鍛造系列 Forging Chain



X-458/XT100 Trolley (A type)



4" Trolley (B type)

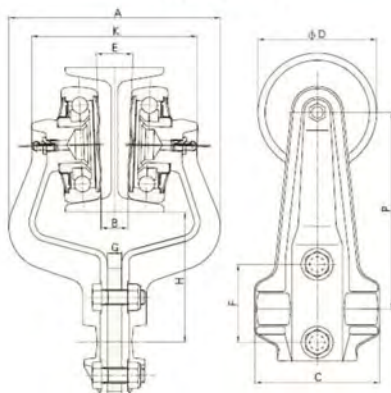


| Chain No.       | 鍛件參數(mm)<br>Dimensions(mm) |       |    |       |    |    |    |   |    |     |       | 重量<br>Weight |
|-----------------|----------------------------|-------|----|-------|----|----|----|---|----|-----|-------|--------------|
|                 | 型号<br>Type                 | P     | H  | A     | B  | C  | D  | E | F  | G   | K     | KG           |
| X458TROLLEY-I   | A                          | 126   | 79 | 138   | 18 | 54 | 82 | 4 | 54 | 10  | 113   | 2.7          |
| X458TROLLEY-II  | A                          | 127   | 80 | 138   | 18 | 56 | 82 | 4 | 54 | 10  | 113   |              |
| X458TROLLEY-III | A                          | 130   | 83 | 138   | 18 | 54 | 82 | 4 | 54 | 10  | 113   |              |
| X458TROLLEY-IV  | B                          | 128.6 | 81 | 134.5 | 18 | 54 | 81 | 3 | 54 | 9.5 | 101.5 |              |

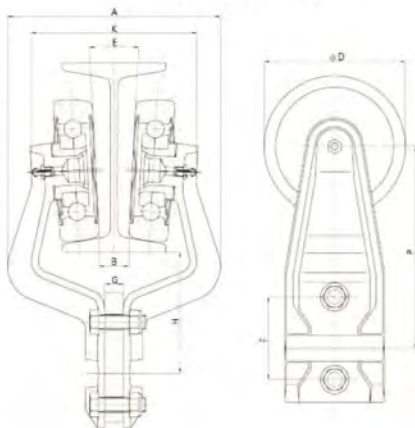
滑架  
Forging Trolley

鍛造系列 Forging Chain

X678 Trolley



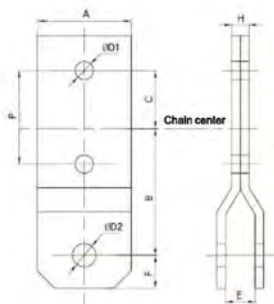
XT160 Trolley



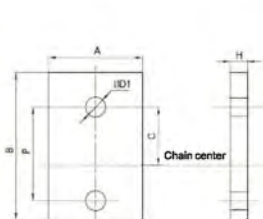
| Chain No.       | 鏈件參數(mm)<br>Dimensions(mm) |      |     |    |    |     |   |    |    |     | 重量<br>Weight |
|-----------------|----------------------------|------|-----|----|----|-----|---|----|----|-----|--------------|
|                 | P                          | H    | A   | B  | C  | D   | E | F  | G  | K   | KG           |
| X678TROLLEY-I   | 136                        | 89   | 146 | 18 | 86 | 82  | 4 | 54 | 10 | 114 | 3.2          |
| X678TROLLEY-II  | 134.5                      | 87.5 | 142 | 18 | 86 | 82  | 4 | 54 | 10 | 106 | 2.8          |
| Xt160TROLLEY-I  | 171                        | 103  | 180 | 26 | 84 | 120 | 6 | 70 | 16 | 140 | 9.7          |
| Xt160TROLLEY-II | 170                        | 102  | 174 | 26 | 86 | 120 | 4 | 70 | 16 | 148 | 8.8          |



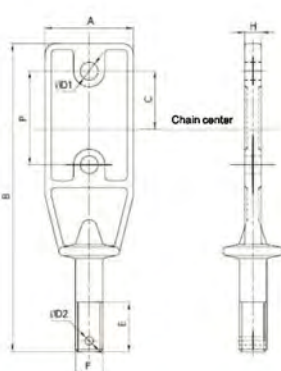
H-type



I-type



B-type

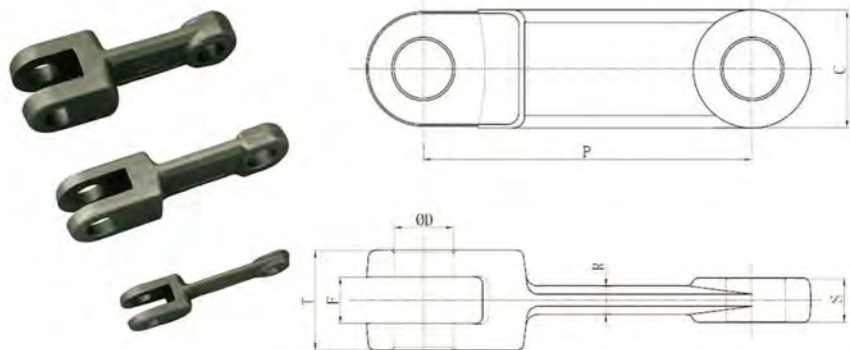


| 链号<br>Chain No. | 链件参数(mm)<br>Dimensions(mm) |      |      |       |      |      |      |      |      |      | 重量<br>Weight<br>KG | 许用载荷<br>Rated<br>Working<br>load<br>KG | 极限载荷<br>Ultimate<br>tensile<br>strength<br>KG |
|-----------------|----------------------------|------|------|-------|------|------|------|------|------|------|--------------------|--|---|
|                 | 型号<br>Type                 | P    | A    | B     | C    | D1   | D2   | E    | F    | H    |                    |  |   |
| X348            | H                          | 47.8 | 38   | 79    | 25.4 | 9    | 13.5 | 15   | 16.6 | 6    | 0.24               | 1260                                   | 7000  |
| X458            | H                          | 54   | 54   | 73    | 33.5 | 10.5 | 13.5 | 17   | 19   | 10   | 0.84               | 3600                                   | 20000   |
| XT160           | H                          | 70   | 80   | 133.5 | 43.5 | 13   | 20   | 32   | 47   | 16   | 1.25               | 8000                                   | 45000   |
| X348            | I                          | 47.8 | 38   | 68    | 25.4 | 9    | /    | /    | /    | 6    | 0.12               | /                                      | /   |
| X458            | I                          | 54   | 54   | 85    | 33.5 | 11.5 | /    | /    | /    | 10   | 0.26               | /                                      | /   |
| X678            | I                          | 54   | 54   | 85    | 33.5 | 11.5 | /    | /    | /    | 10   | 0.26               | /                                      | /   |
| XT160           | I                          | 70   | 80   | 110   | 43.5 | 13   | /    | /    | /    | 16   | 1.1                | /                                      | /   |
| 4196            | B                          | 47.8 | 38.1 | 146.1 | 25.4 | 8.3  | 3.6  | 22.2 | 1/2" | 6.4  | 0.2                | 1800                                   | 10000   |
| 4221            | B                          | 54   | 50.8 | 177.8 | 33.5 | 10.3 | 4.8  | 28.6 | 5/8" | 9.5  | 0.45               | 3000                                   | 17000   |
| 4249            | B                          | 70   | 76.2 | 222   | 43.5 | 14.3 | 5.6  | 34.9 | 7/8" | 12.7 | 1.02               | 5760                                   | 32000   |



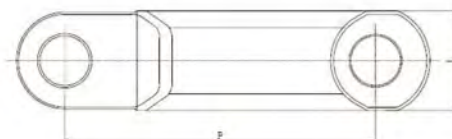
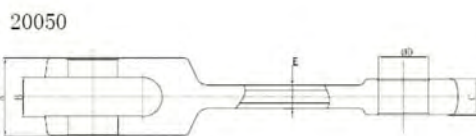
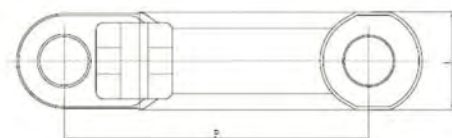
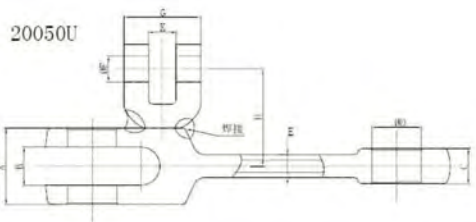


刮板鏈  
Forging Scraper Chain

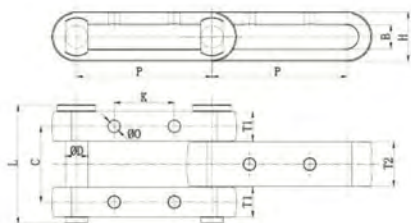
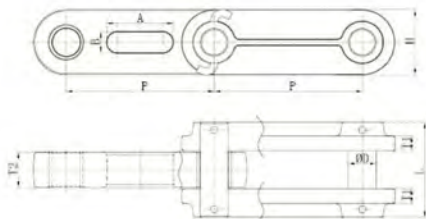
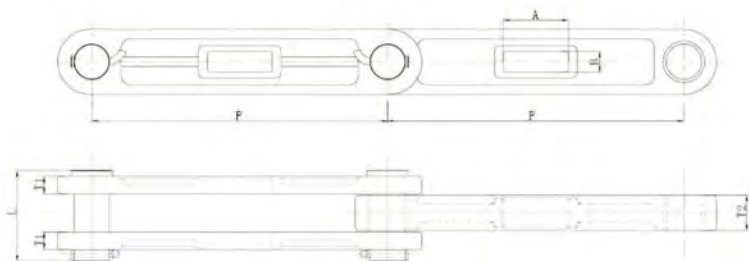


| Chain No. | 鏈件參數(mm)<br>Dimensions(mm) |    |    |    |    |    |    | 重量<br>Weight<br>KG | 工作載荷<br>Rated working<br>load<br>KG | 極限載荷<br>Breaking<br>load<br>KG |
|-----------|----------------------------|----|----|----|----|----|----|--------------------|-------------------------------------|--------------------------------|
|           | P                          | T  | C  | S  | F  | R  | D  |                    |                                     |                                |
| 10160/B   | 101.6                      | 24 | 36 | 13 | 14 | 6  | 14 | 0.32               | 1800                                | 10000                          |
| 10160     | 101.6                      | 30 | 36 | 13 | 14 | 9  | 14 | 0.36               | 2160                                | 12000                          |
| 14218     | 142                        | 42 | 50 | 19 | 20 | 11 | 25 | 1.15               | 4860                                | 27000                          |
| 14226     | 142                        | 62 | 50 | 28 | 30 | 15 | 25 | 1.75               | 6120                                | 34000                          |
| 15014     | 150                        | 42 | 48 | 16 | 18 | 12 | 25 | 1.35               | 4860                                | 27000                          |
| 70010     | 150                        | 36 | 36 | 15 | 18 | 10 | 18 | 1.05               | 2880                                | 16000                          |
| 20028     | 200                        | 66 | 60 | 30 | 32 | 18 | 30 | 2.8                | 9900                                | 55000                          |
| 20042     | 200                        | 42 | 45 | 20 | 22 | 12 | 20 | 1.5                | 5040                                | 28000                          |
| 26014     | 260                        | 70 | 75 | 31 | 33 | 20 | 34 | 5.2                | 13500                               | 75000                          |

刮板鏈  
Forging Scraper Chain



| 链号<br>Chain<br>No. | 链件参数(mm)<br>Dimensions(mm) |    |    |    |    |    |    |    |    |    |    | 抗拉强度(KN)<br>Ultimate tensile<br>strength(KN) |
|--------------------|----------------------------|----|----|----|----|----|----|----|----|----|----|--|
|                    | P                          | D  | L  | A  | B  | C  | E  | F  | G  | H  | K  |  |
| 20050              | 200                        | 32 | 64 | 50 | 25 | 23 | 15 | /  | /  | /  | /  | 450  |
| 20050U             | 200                        | 32 | 64 | 50 | 25 | 23 | 15 | 17 | 50 | 64 | 18 | 450  |

**糖机块用链  
Sugar Machine Chain**
**A-type**

**B-type**

**C-type**


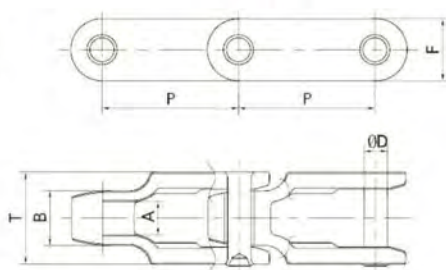
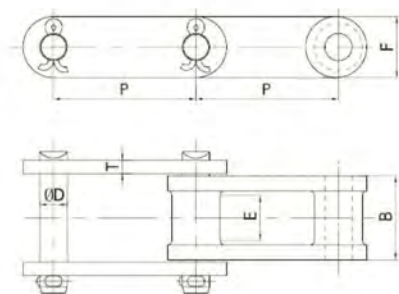
| 链号<br>Chain No. | 型式<br>Type | 节距<br>P<br>mm | 链板(mm)<br>Plate |       |      |      |    |      |     |    | 平均抗拉载荷<br>Average<br>tensile strength<br>kN | 重量<br>Weight<br>kg/m |
|-----------------|------------|---------------|-----------------|-------|------|------|----|------|-----|----|---|----------------------|
|                 |            |               | D               | L     | T1   | T2   | O  | H    | A   | B  |   |                      |
| DK100-152       | A          | 152.4         | 30              | 158   | 45   | 45   | 13 | 60   | /   | 32 | 1000  | 28.7                 |
| B5291           | A          | 152.4         | 39              | 158   | 38.1 | 50.8 | 17 | 77.8 | /   | 41 | 1100  | 47.9                 |
| 3850            | A          | 228.6         | 39              | 132   | 40   | 50   | 17 | 80   | /   | 40 | 1000  | 32.4                 |
| 5075            | A          | 288.6         | 39              | 201   | 50   | 75   | 17 | 83   | /   | 40 | 1000  | 48.5                 |
| NF250           | B          | 250           | 47              | 181.5 | 30   | 60   | /  | 110  | 111 | 35 | 1720  | 52                   |
| NF500           | C          | 500           | 60              | 157.5 | 31   | 62   | /  | 150  | 125 | 45 | 2940  | 77                   |

## 可鍛鑄鐵鏈 Casting Chain



C-type

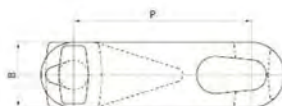
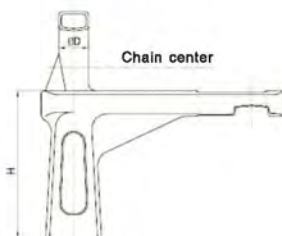
CC-type



| 鏈號<br>Chain No. | 節距<br>P<br>mm | 最大許可載荷<br>Rated working<br>load max<br>KN | 極限拉伸載荷<br>Ultimate tensile<br>strength<br>KN/LB | 節數 / 10ft<br>Links/10ft | 重量<br>Weight<br>Kg/m | 尺寸<br>Dimension |       |      |      |      |
|-----------------|---------------|---|---|-------------------------|----------------------|-----------------|-------|------|------|------|
|                 |               |   |   |                         |                      | A               | B     | D    | F    | T    |
| C55             | 41.4          | 1110                                      | 9000  | 74                      | 3.18                 | 17.5            | 32    | 9.5  | 19.0 | 4.8  |
| C55L            | 41.4          | 1110                                      | 9000  | 74                      | 4.1                  | 17.5            | 32    | 10.0 | 19.0 | 4.8  |
| C77             | 58.6          | 1360                                      | 11000   | 52                      | 3.38                 | 17.5            | 32    | 11.1 | 22.0 | 4.8  |
| C188            | 66.3          | 1950                                      | 14000   | 46                      | 5.25                 | 23.8            | 39.6  | 12.7 | 29.0 | 5.8  |
| C188L           | 66.3          | 1950                                      | 14000   | 46                      | 5.25                 | 23.8            | 39.6  | 14.3 | 29.0 | 5.8  |
| C102B           | 101.6         | 4000                                      | 24000   | 30                      | 9.35                 | 50.8            | 73.0  | 16.0 | 38.0 | 9.0  |
| C111            | 120.9         | 5950                                      | 36000   | 26                      | 18.37                | 60.0            | 86.0  | 19.0 | 44.0 | 9.0  |
| C131            | 78.1          | 3220                                      | 24000   | 40                      | 10.83                | 28.5            | 52.0  | 16.0 | 38.0 | 9.0  |
| C132            | 152.4         | 8330                                      | 50000   | 20                      | 21.56                | 73.0            | 111.0 | 25.4 | 50.8 | 12.0 |
| CC800           | 64            | 1110                                      | 9000  | 48                      | 5.05                 | 13              | 23.5  | 11   | 29   | 43   |



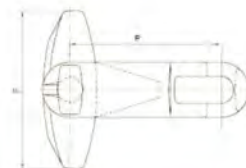
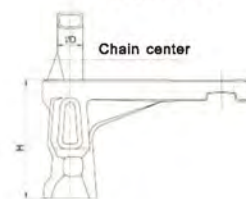
X348(A Type)



X348(B Type)



X348(C Type)



| 链号<br>Chain No. | 链件参数(mm)<br>Dimensions(mm) |      |      |      |    | 重量<br>Weight<br>KG | 许用载荷<br>Rated<br>Working<br>load<br>KG | 极限载荷<br>Ultimate<br>tensile<br>strength<br>KG |
|-----------------|----------------------------|------|------|------|----|--------------------|--|---|
|                 | P                          | H    | A    | D    | F  |                    |  |   |
| X348(A Type)    | 76.6                       | 63.5 | /    | 12.7 | /  | 0.42               | 900                                    | 11000   |
| X348(B Type)    | 76.2                       | 60.3 | 38.1 | 12.7 | /  | 0.45               | 900                                    | 11000   |
| X348(C Type)    | 76.6                       | 60   | /    | 12.7 | 80 | 0.65               | 900                                    | 11000   |

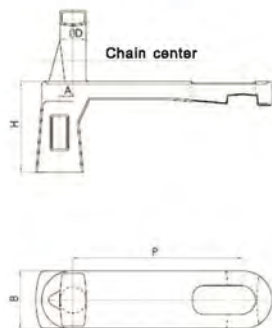


推头  
Pusher

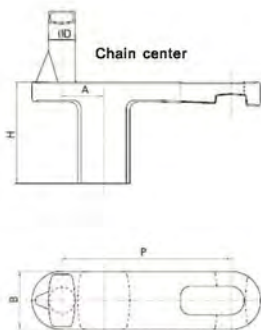
鍛造系列 Forging Chain



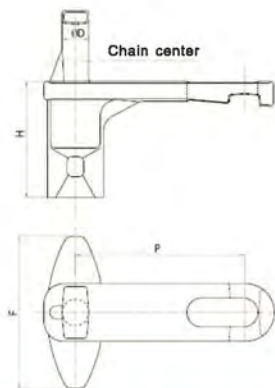
X458(A Type)



X458(B Type)



X458(C Type)

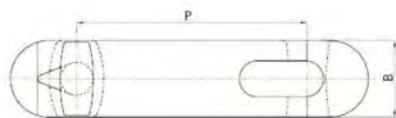
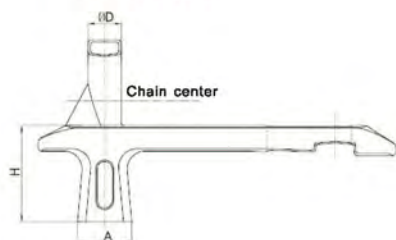


| 链号<br>Chain<br>No. | 链件参数(mm)<br>Dimensions(mm) |      |      |    |    |    | 重量<br>Weight<br>KG | 许用载荷<br>Rated<br>Working<br>load<br>KG | 极限载荷<br>Ultimate<br>tensile<br>strength<br>KG |
|--------------------|----------------------------|------|------|----|----|----|--------------------|--|---|
|                    | P                          | H    | A    | B  | D  | F  |                    |  |   |
| X458(A Type)       | 102.4                      | 55   | 8.2  | 35 | 16 | /  | 0.7                | 1500                                   | 2100  |
| X458(B Type)       | 102.4                      | 61.5 | 25.4 | 35 | 16 | /  | 0.75               | 1500                                   | 2100  |
| X458(C Type)       | 102.4                      | 70.3 | /    | 35 | 16 | 92 | 1.35               | 1500                                   | 2100  |

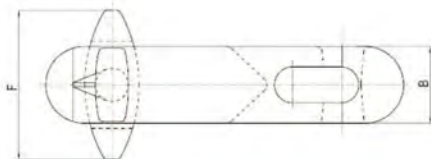
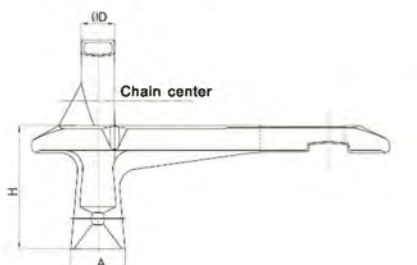
推头  
Pusher



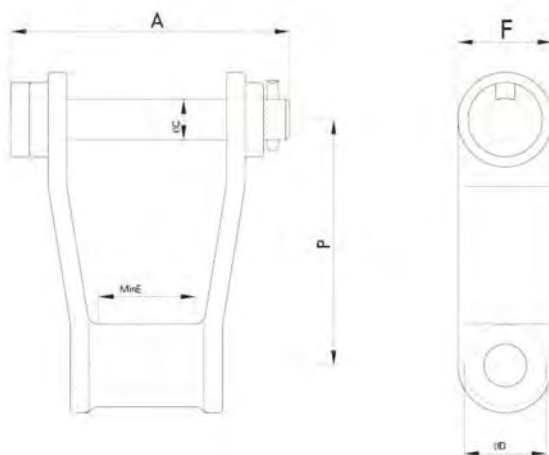
X678(A Type)



X678(B Type)



| 链号<br>Chain No. | 链件参数(mm)<br>Dimensions(mm) |    |    |    |    |     | 重量<br>Weight<br>KG | 许用载荷<br>Rated<br>Working<br>load<br>KG | 极限载荷<br>Ultimate<br>tensile<br>strength<br>KG |
|-----------------|----------------------------|----|----|----|----|-----|--------------------|--|---|
|                 | P                          | H  | A  | B  | D  | F   |                    |  |   |
| X678(A Type)    | 153.2                      | 64 | 36 | 51 | 22 | /   | 1.65               | 2700                                   | 3800  |
| X678(B Type)    | 153.2                      | 82 | 36 | 51 | 22 | 100 | 2.3                | 2700                                   | 3800  |

400型枢轴链  
400 Type Pivot Chain

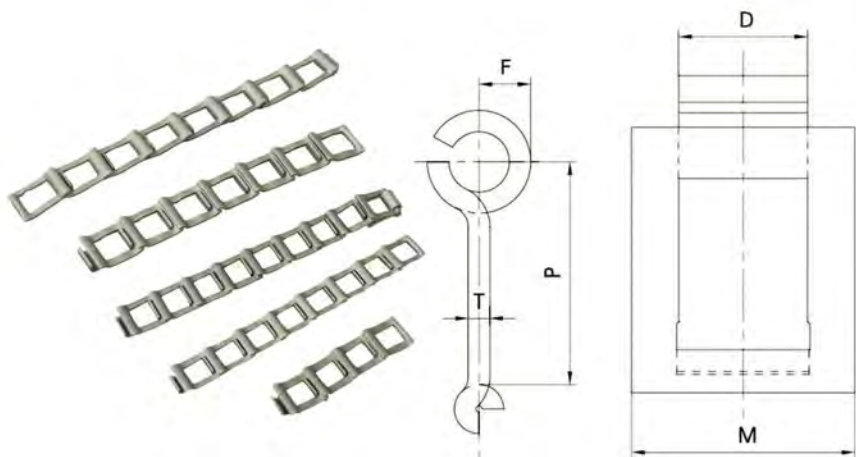
| 链号<br>Chain No. | 节距<br>P<br>mm | 最大许可载荷<br>Rated working<br>load max<br>KN | 平均极限强度<br>Average tensile<br>strength<br>KN | 平均重量<br>Average<br>weight<br>Kg/m | 节数 / 10ft<br>Links/10ft | 尺寸<br>Dimension |       |       |       |       |       |
|-----------------|---------------|---|---|-----------------------------------|-------------------------|-----------------|-------|-------|-------|-------|-------|
|                 |               |   |   |                                   |                         | A               | B     | C     | D     | E     | F     |
| 422             | 34.93         | 452                                       | 3402  | 2.23                              | 88                      | 50.8            | 46.83 | 7.94  | 14.29 | 15.88 | 19.05 |
| 445             | 41.4          | 452                                       | 3402  | 2.38                              | 74                      | 50.8            | 46.83 | 7.94  | 15.88 | 17.46 | 19.05 |
| 452             | 38.25         | 528                                       | 3969  | 3.27                              | 80                      | 56.36           | 67.47 | 9.26  | 17.46 | 15.88 | 21.43 |
| 455             | 41.4          | 577                                       | 4139  | 3.13                              | 74                      | 57.94           | 53.98 | 9.26  | 15.88 | 17.46 | 21.43 |
| 462             | 41.5          | 816                                       | 5103  | 4.02                              | 73                      | 65.09           | 63.5  | 11.11 | 18.26 | 20.64 | 23.81 |
| 467             | 58.62         | 517                                       | 3402  | 2.23                              | 52                      | 56.36           | 53.98 | 7.94  | 16.67 | 9.53  | 19.84 |
| 477             | 58.62         | 762                                       | 5443  | 3.27                              | 52                      | 64.29           | 56.36 | 11.11 | 20.64 | 17.46 | 25.40 |
| 488             | 66.27         | 980                                       | 6237  | 4.61                              | 46                      | 100             | 73.82 | 11.11 | 22.23 | 23.81 | 23.81 |
| 4103            | 78.11         | 1905                                      | 12474                                       | 9.23                              | 39                      | 87.31           | 84.13 | 19.05 | 30.96 | 28.58 | 38.10 |
| 4124            | 103.2         | 2482                                      | 18711                                       | 13.69                             | 30                      | 120.65          | 113.5 | 20.84 | 43.66 | 31.75 | 44.45 |





冲压方框链  
Punching Chain

冲压系列 Punching Chain



| 链号<br>Chain No. | P     | D     | F     | M    | T     | 破断载荷<br>Breaking Load<br>KN | 重量<br>Weight<br>Kg/m | 节数 /10ft<br>Links/10ft |
|-----------------|-------|-------|-------|------|-------|-----------------------------|----------------------|------------------------|
|                 | mm    |       |       |      |       |                             |                      |                        |
| 25              | 22.96 | 10.72 | 4.572 | 17.8 | 1.854 | 3.382                       | 0.30                 | 133                    |
| 32              | 29.39 | 15.09 | 5.842 | 23.8 | 2.286 | 5.874                       | 0.48                 | 104                    |
| 32W             | 29.39 | 15.09 | 5.893 | 27   | 2.413 | 5.874                       | 0.58                 | 104                    |
| 51              | 28.78 | 17.86 | 5.893 | 27.8 | 2.540 | 7.496                       | 0.60                 | 106                    |
| 52              | 38.30 | 21.44 | 7.696 | 35.7 | 2.048 | 9.612                       | 0.983                | 80                     |
| 55              | 41.40 | 20.22 | 8.128 | 32.5 | 3.175 | 9.968                       | 0.924                | 74                     |
| 62              | 42.01 | 24.99 | 8.51  | 39.7 | 3.76  | 15.56                       | 1.35                 | 73                     |



400 型枢轴链  
400 Type Pivot Chain



模锻易拆链  
Drop Forged Rivetless Chain



滑架  
Forging Trolley



可锻铸铁链  
Casting Chain



滑架  
Forging Trolley



推头  
Pusher



冲压易拆链  
Punching Detachable Chain



推头  
Pusher



推头  
Pusher



滑架  
Forging Trolley

## OUR POSITION

我们的位置



## SALES NETWORK

我们的销售网络





易達傳動

5 Star Industrial Co., Limited

Address: Shimao Building, 14th Street, Xiasha District,  
Hangzhou, P.R.China

Tel: 0086-571-86814931

Fax: 0086-571-86814932

E-mail: [info@5star-trans.com](mailto:info@5star-trans.com)

Website: <http://www.5star-trans.com/>